

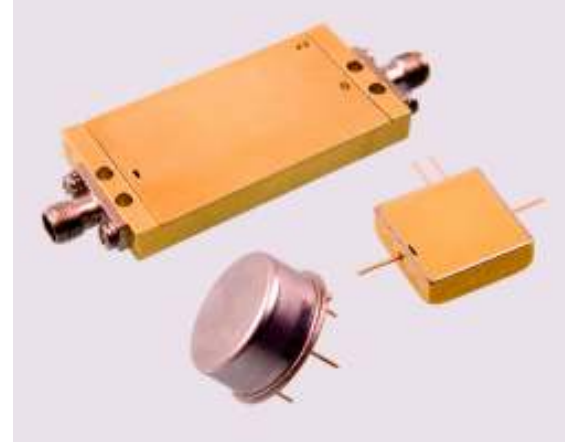
**Features: (typical values)**

- Very high IP3 ..... +38 dBm.
- High P1dB ..... +24.0 dBm.
- Low NF ..... 3.0 dB.
- Low cost

**Maximum Ratings**

Storage Temperature ..... -62°C to +125°C  
 DC Voltage ..... +18 volts  
 RF Input Power ..... +15.0 dBm.  
 Case Temperature ..... +95°C

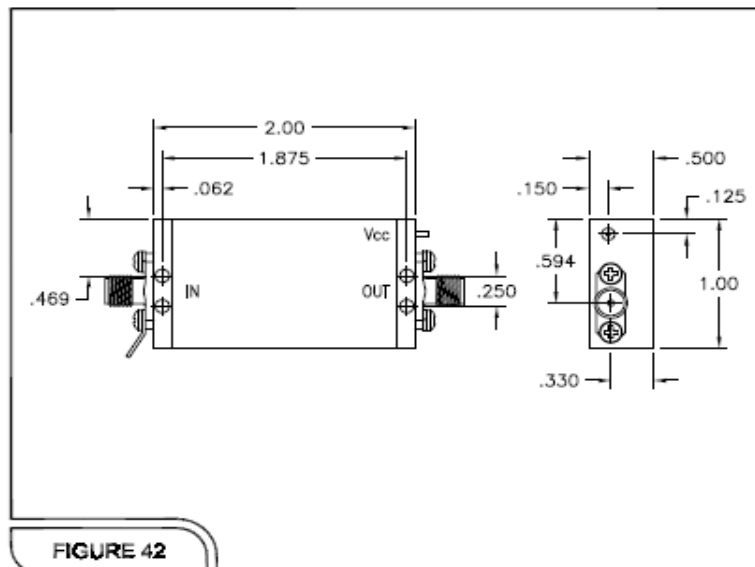
**500-2200 MHz  
Wideband Amplifier**



Specifications (Referenced to 50 ohms)

Parameter	Typical Conditions	Min Value	Max Value	Units
Frequency		500	2200	MHz.
Gain	23.0	21.0		dB.
Gain Flatness	±0.4		±1.0	dB.
Gain Var. over temp	0.5			ΔdB.
Pout @ 1dB Comp	+24.0	+22.0		dBm.
NF	3.0		5.0	dB.
Reverse Isolation	40.0			dB.
IP <sub>3</sub> /IP <sub>2</sub> (two-tone)	38/50	35/42		dBm.
HIP2 (2 <sup>nd</sup> harm.)	55.0			dBm.
VSWR In/Out	1.7:1		2.0:1	
Supply Required	+15/230		+15/260	v/mA.

Min. and max. values are from -40°C to +85°C



### Typical Performance Curves

■ -55°C    ◆ -+25°C    ▲ -+85°C

