

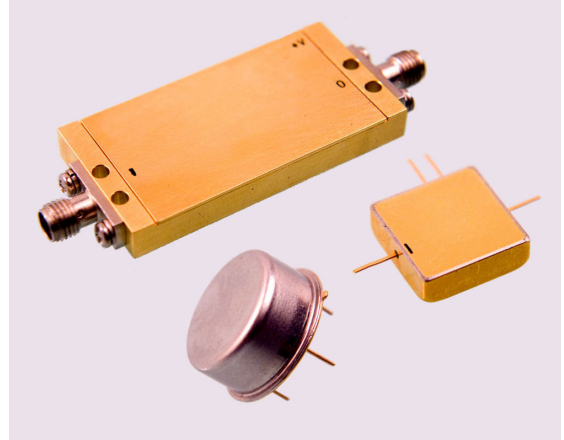
Features: (typical values)

- Very high IP3 +30 dBm.
- High P1dB 17.0 dBm.
- Low NF @ 100-4000mhz 3.0 dB.
- Super low cost

Maximum Ratings

Storage Temperature -62°C to +125°C
 DC Voltage +8 volts
 RF Input Power +13.0 dBm.
 Case Temperature +95°C

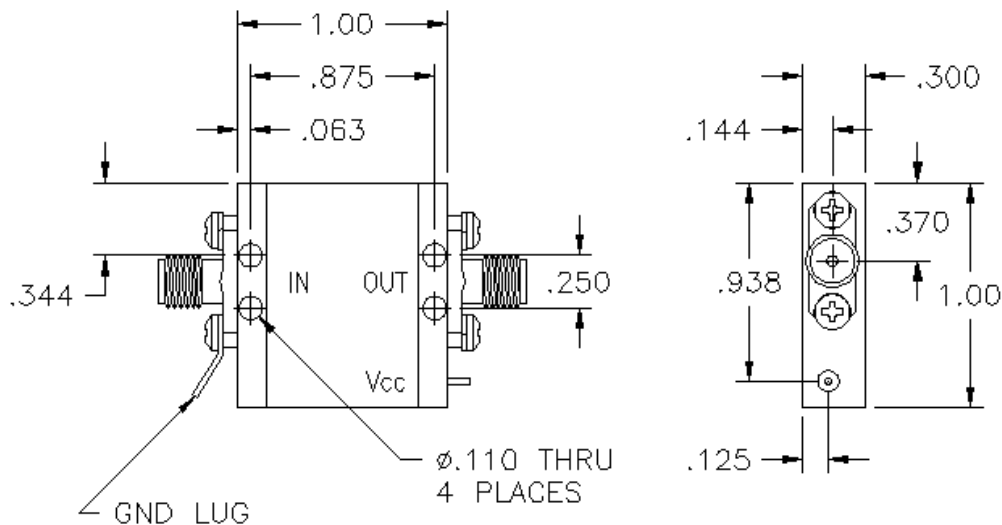
**20-4000 MHz
Wideband Amplifier**



Specifications (Referenced to 50 ohms)

Parameter	Typical Conditions	Min Value	Max Value	Units
Frequency		20	4000	MHz.
Gain	10.5	9.0		dB.
Gain Flatness	±0.5		±1.0	dB.
Gain Var. over temp	0.5			ΔdB.
Pout @ 1dB Comp	+17.0	+15.0		dBm.
NF 20-100mhz	4.0		5.0	dB.
NF 100-4000mhz	2.5		4.0	dB.
Reverse Isolation	16.0			dB.
IP ₃ /IP ₂ (two-tone)	30/40	27/37		dBm.
HIP2 (2 nd harm.)	52.0			dBm.
VSWR In/Out	1.7:1		2.0:1	
Supply Required	+5/52		+5/60	v/mA.

Min. and max. values are from -55°C to +85°C





AMPLIFIER SOLUTIONS CORPORATION

ASC215

Typical Performance Curves

■ -55°C ◆ -+25°C ▲ -+85°C

