



**AMPLIFIER SOLUTIONS CORPORATION**

# ASC221C

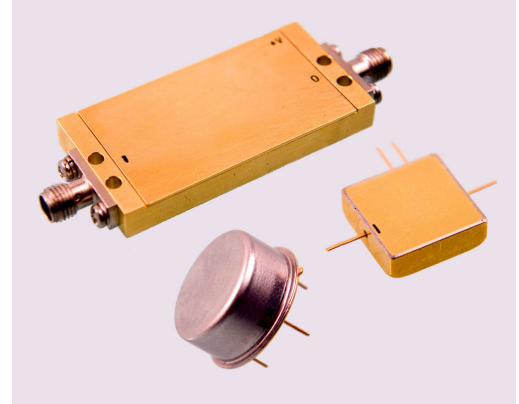
**Features: (typical values)**

- Low NF..... +4.5 dB.
- Medium P1dB ..... 17.0 dBm.
- High Gain ..... 40.0 dB.

**Maximum Ratings**

Storage Temperature ..... -62°C to +125°C  
 DC Voltage ..... +17 volts  
 RF Input Power ..... +5.0 dBm.  
 Case Temperature ..... +95°C

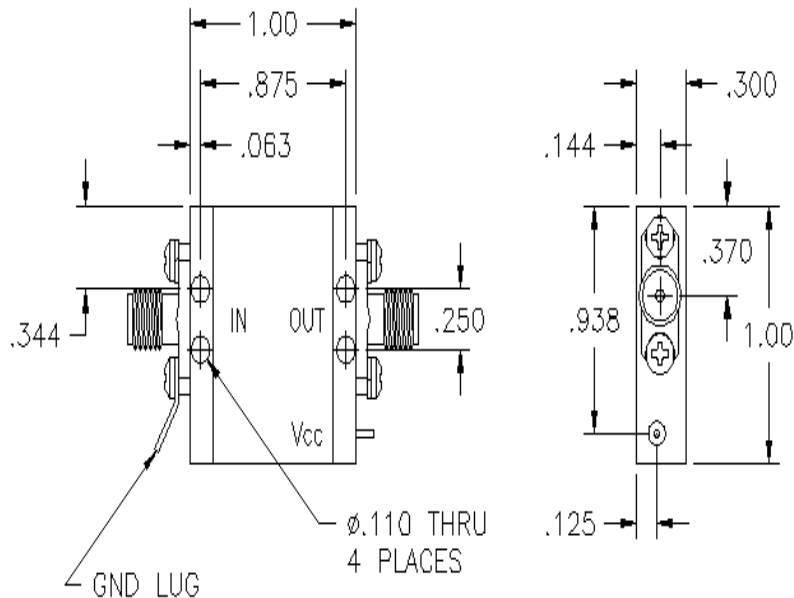
**10-2000 MHz  
Wideband Amplifier**



Specifications (Referenced to 50 ohms)

Parameter	Typical Conditions	Min Value	Max Value	Units
Frequency		10	2000	MHz.
Gain	40.0	38.0		dB.
Gain Flatness	±0.7		±1.5	dB.
Gain Var. over temp	0.7			ΔdB.
Pout @ 1dB Comp	+17.0	+14.0		dBm.
NF	4.5		6.0	dB.
Reverse Isolation	45.0			dB.
IP <sub>3</sub> /IP <sub>2</sub> (two-tone)	30/44	25/38		dBm.
HIP2 (2 <sup>nd</sup> harm.)	48.0			dBm.
VSWR In/Out	1.6:1		2.0:1	
Supply Required	+15/110		+15/130	v/mA.

Min. and max. values are from -55°C to +85°C





AMPLIFIER SOLUTIONS CORPORATION

ASC221C

### Typical Performance Curves

■ -55°C    ◆ -+25°C    ▲ -+85°C

