

## RF Amplifier

\* Operating Frequency : 100 KHz to 60 MHz

\* IP3/IP2 : 43/70 dBm

\* Gain : 15 dB



### ELECTRICAL SPECIFICATION @ VDD= +12 VDC; Temp. = 25°C, 50Ω System

| Parameter                    | Symbol    | Min   | Typ   | Max   | Unit  |
|------------------------------|-----------|-------|-------|-------|-------|
| Operating Frequency          | BW        | 0.1   |       | 60    | MHz   |
| Gain                         | G         | 15    | 15.5  | 16    | dB    |
| Gain Flatness                | Δ G       |       | ±0.15 | ±0.20 | dB    |
| Gain variation over temp     | Δ G       |       | ±0.5  |       | dB    |
| Noise Figure                 | N.F.      |       | 4.5   | 5     | dB    |
| Power Output 1 db compressed | P 1 db    | 23    | 25    |       | dBm   |
| Reverse Isolation            | R I       |       | 30    |       | dB    |
| Two Tone Intercept           | OIP3/OIP2 | 43/70 | 44/71 |       | dBm   |
| VSWR in/out                  | S11/S22   |       | 1.3:1 | 1.5:1 | Ratio |
| Operating Voltage            | Vdc       |       | 12    |       | Volt  |
| Operating Current            | Id        |       | 160   | 170   | ma    |

### MECHANICAL SPECIFICATION

| Parameter            | Description | Limits | Units |
|----------------------|-------------|--------|-------|
| Dimension            | TO-8 Fig 3  |        |       |
| RF Connectors IN/OUT |             |        |       |
| DC Connector         |             |        |       |
| Cooling              | None        |        |       |
| Monitor Connector    | None        |        |       |

### PROTECTIONS

|                             |                   |     |  |
|-----------------------------|-------------------|-----|--|
| RF Input Power              | 20 dBm            | Max |  |
| Reverse Polarity Protection | N/A               |     |  |
| Load VSWR                   | Infinite up to 1W |     |  |
| Stability                   | 100% Tested       |     |  |

### ENVIRONMENTAL CHARACTERISTICS

| Parameter                  | Symbol | Min.  | Typ. | Max.  | Units |
|----------------------------|--------|-------|------|-------|-------|
| Operating Case Temperature | Tc     | - 55C |      | 85°C  | °C    |
| Storage Temperature        | Tstg   | - 55C |      | 120°C | °C    |

2950-K Advance Lane Colmar, PA 18915

Web: [www.amplifiersolutions.com](http://www.amplifiersolutions.com)  
 Email: [sales@amplifiersolutions.com](mailto:sales@amplifiersolutions.com)

Tel: 215-997-7856  
 Fax: 215-997-7857

Outline Drawing

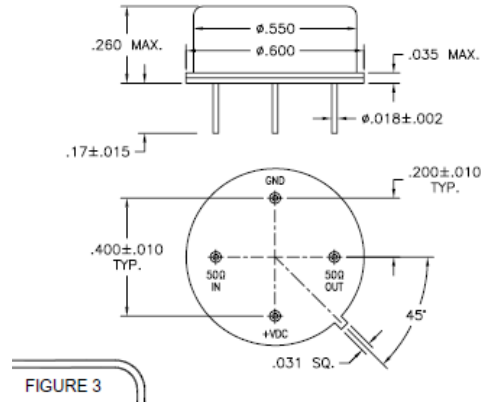


FIGURE 3