



**ASC422C
Amplifier Specifications
Guaranteed**

Amplifier ASC422C	Parameter Value Guaranteed
Frequency	2-30MHZ
Gain	17.0dB min 18.0dB typ.
Gain Flatness	1.0dB p-p Max
Gain variation vs. Temp.	1.0dB p-p Max
Noise Figure	5.0dB Max.
Power Output @ 1dB comp.	+28.0 dBm Min. +29.0 dBm Typ
Third Order Two Tone Intercept Point@18dbm per tone	+46.0 dBm Typ +44.0 dBm min
Second order Two Tone Intercept Point @ 18dbm per tone	90dBm Typ. 80dBm min
VSWR in/out	1.5:1 Max.
Voltage Supply	+24V/ 240mA
Maximum Input Power	2W
Impedance	50ohm system
Package size	Fig 37
Temp.	-15°C to +55°C

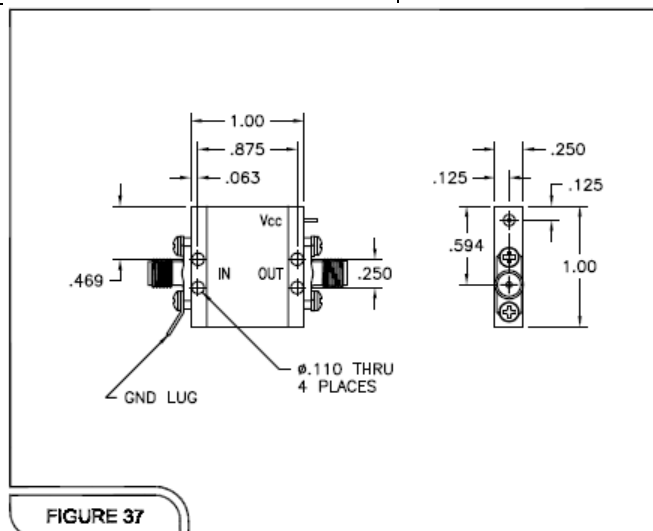


FIGURE 37