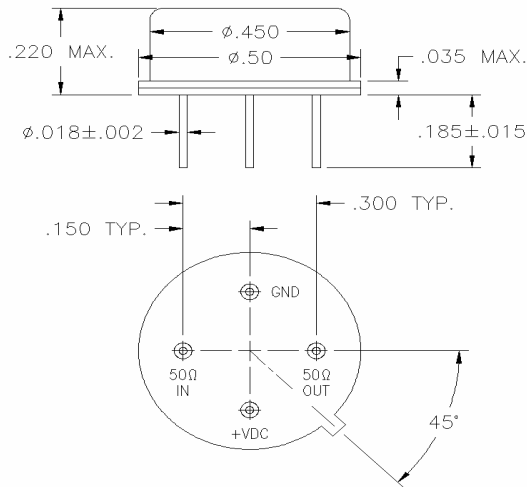


**ASC600 30-200 MHz. Cascadable Amplifier**



**Features: (typical values)**

- High Reverse Isolation ..... 28.0 dB
- Medium Noise Figure ..... 3.2 dB.
- High Output Power ..... +24.0 dBm.
- High Reliability
- Hermetic Package (Surface mount available)

**Specifications (Referenced to 50 ohms)**

| Parameter                                    | Typical Value | Min. Value | Max. Value | Units        |
|--|---------------|------------|------------|--------------|
| Frequency                                    |               | 30         | 200        | MHz.         |
| Gain   | 15            | 13.0       |            | dB.          |
| Gain Flatness                                | $\pm 0.2$     |            | $\pm 1.0$  | dB.          |
| Gain Var. over temp.                         | 0.6           |            |            | $\Delta$ dB. |
| Pout @ 1dB. Comp.                            | +24.0         | +22.0      |            | dBm.         |
| Noise Figure                                 | 3.2           |            | 5.0        | dB.          |
| Reverse Isolation                            | 28.0          |            |            | dB.          |
| IP <sub>3</sub> /IP <sub>2</sub> (two-tone)* | 38/50         | 33/44      |            | dBm.         |
| HIP2 (2 <sup>nd</sup> harm.)                 | 55            |            |            | dBm.         |
| VSWR In/Out                                  | 1.6:1         |            | 2.0:1      |              |
| Supply Req'd                                 | +15/96        |            | +15/105    | v/mA.        |

Min. and max. values are from -55°C to +85°C  
 \*IP3 and IP2 are in band output intercept points

**Maximum Ratings**

- Storage Temperature ..... -62°C to +125°C
- DC Voltage ..... +17 volts
- RF Input Power ..... +13.0 dBm.
- Case Temperature ..... +95°C

**Typical Performance Curves**

- ■ - -55°C    - ◆ - +25°C    - ▲ - +85°C

