

**Features: (typical values)**

- Super Linearity
- Medium Noise Figure ..... 3.0 dB.
- High Output Power ..... +22.0 dBm.
- High Reliability
- ASC662F for Hermetic Package (Surface Mount available)
- ASC662C for SMA-F

**250-3000 MHz  
Wideband Amplifier  
Gain Block  
Super Low Cost**



**Maximum Ratings**

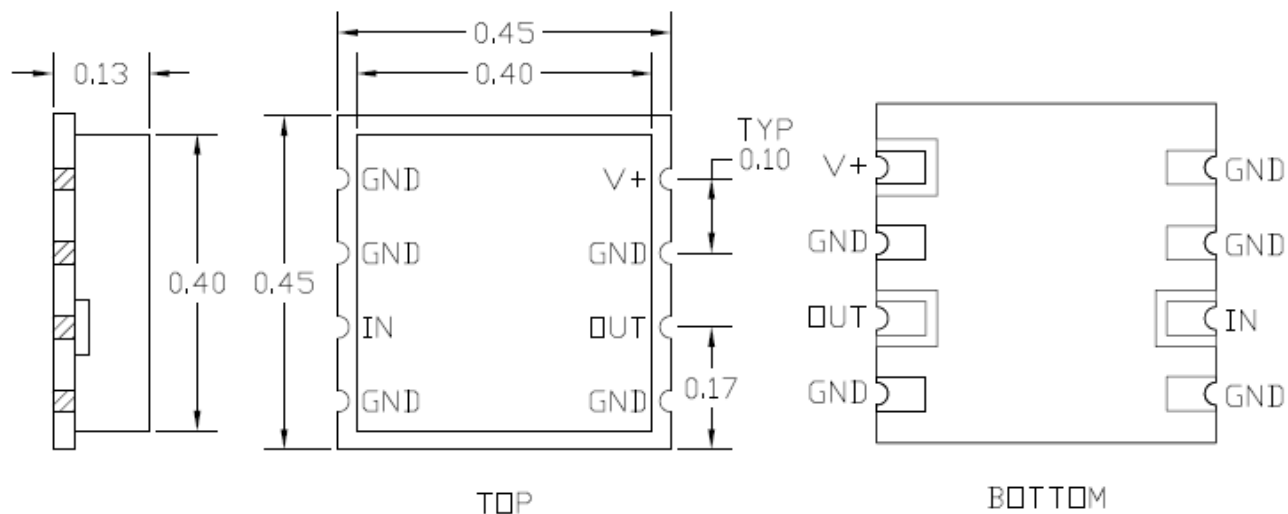
Storage Temperature ..... -62°C to +125°C  
 DC Voltage ..... +7 volts  
 RF Input Power ..... +15.0 dBm.  
 Case Temperature ..... +100°C

Specifications (Referenced to 50 ohms)

| Parameter                                    | Typical Conditions | Min Value | Max Value | Units |
|--|--------------------|-----------|-----------|-------|
| Frequency                                    |                    | 250       | 3000      | MHz.  |
| Gain   | 12                 | 11.0      |           | dB.   |
| Gain Flatness                                | ±0.25              |           | ±0.5      | dB.   |
| Gain Var. over temp                          | 0.6                |           |           | ΔdB.  |
| Pout @ 1dB Comp                              | +22.0              | +20.0     |           | dBm.  |
| Noise Figure                                 | 3.0                |           | 4.5       | dB.   |
| Reverse Isolation                            | 16                 |           |           | dB.   |
| IP <sub>3</sub> /IP <sub>2</sub> (two-tone)* | 37/44              | 35/40     |           | dBm.  |
| HIP2 (2 <sup>nd</sup> harm.)                 | 50.0               |           |           | dBm.  |
| VSWR In/Out                                  | 1.7:1              |           | 2.0:1     |       |
| Supply Required                              | +5/150             |           | +5/170    | v/mA. |

Min. and max. values are from 0°C to +85°C

\*IP<sub>3</sub> and IP<sub>2</sub> are in band output intercept points



**Typical Performance Curves**

-■- -55°C -◆- +25°C -▲- +85°C

