

Features: (typical values)

- High Gain20dB
- Medium Noise Figure 3.0 dB.
- Medium Output Power +17.0 dBm.
- High Reliability
- ASC663F for Hermetic Package (Surface Mount available)
- ASC663C for SMA-F connectorized

**10-2000 MHz
Wideband Amplifier
Gain Block
Super Low Cost**



Maximum Ratings

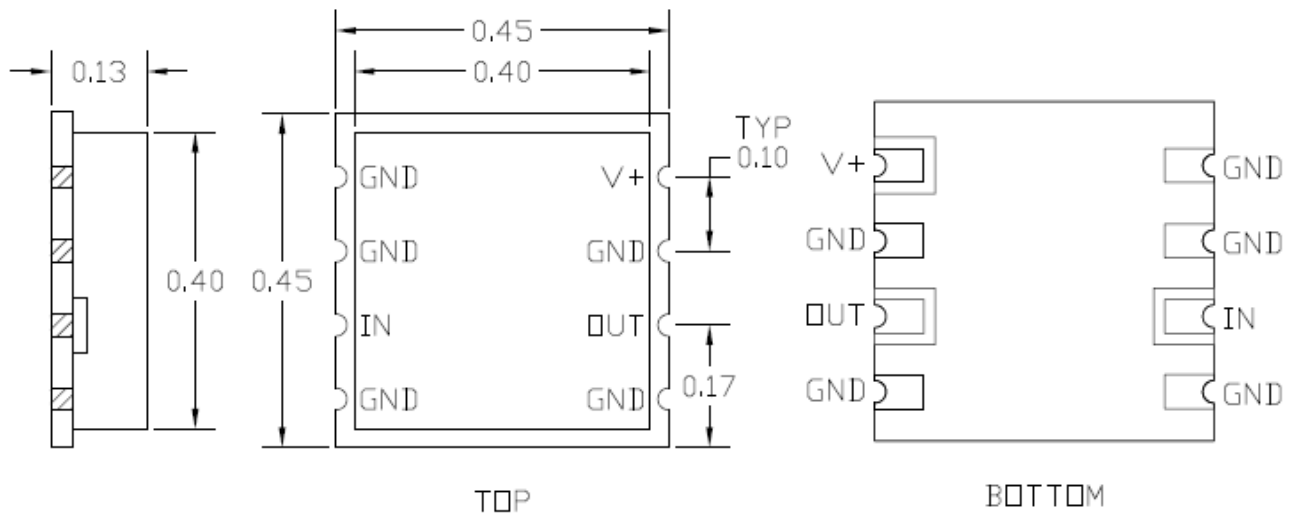
Storage Temperature -62°C to +125°C
 DC Voltage +7 volts
 RF Input Power +13.0 dBm.
 Case Temperature +100°C

Specifications (Referenced to 50 ohms)

Parameter	Typical Conditions	Min Value	Max Value	Units
Frequency		10	2000	MHz.
Gain	20	19.0		dB.
Gain Flatness	±0.5		±1.0	dB.
Gain Var. over temp	0.6			ΔdB.
Pout @ 1dB Comp	+17.0	+15.0		dBm.
Noise Figure	3.0		4.0	dB.
Reverse Isolation	24			dB.
IP ₃ /IP ₂ (two-tone)*	30/43	27/40		dBm.
HIP2 (2 nd harm.)	50.0			dBm.
VSWR In/Out	1.8:1		2.0:1	
Supply Required	+5/73		+5/80	v/mA.

Min. and max. values are from 0°C to +85°C

*IP₃ and IP₂ are in band output intercept points



Typical Performance Curves

-■- -55°C -◆- +25°C -▲- +85°C

