

## Wide Band RF Amplifier

- \* Operating Frequency : 2500-3500 MHz
- \* Saturated Power : 13 W Psat Typical
- \* Gain : 10 dB
- \* Operation Up to 28 Volts <sup>1</sup>



**Description: Ultra Wideband Operation, WiMax, Test Instrumentation, All Purpose Power Amp**

### ELECTRICAL SPECIFICATION @ VDD= +28 VDC, -5VDC; Temp. = 25 °C, 50Ω System

Parameter	Symbol	Min	Typ	Max	Unit
Operating Frequency	BW	2500		3500	MHz
Gain	G	9	10		dB
Gain Flatness	Δ G		±0.5	±1.0	dB
Power Added Efficiency	PAE		30		%
Power Output	Psat	40	41		dBm
Return Loss in/out	S11/S22	2.2:1	1.8:1		dB
Operating Voltage <sup>1</sup>	Vdc		+28, -5		Volt
Operating Current	Idq		200		mA

**Note 1: Also Available In A Single +30V Supply**

### MECHANICAL SPECIFICATION

Parameter	Description	Limits	Units
Dimension	2x1x0.50		inches
RF Connectors IN/OUT	SMA-F		
DC Connector	Filtered DC		

### PROTECTIONS

	Max	
RF Input Power	30	dBm
Reverse Polarity Protection		
Load VSWR	5:01	RATIO
Stability	Unconditional	

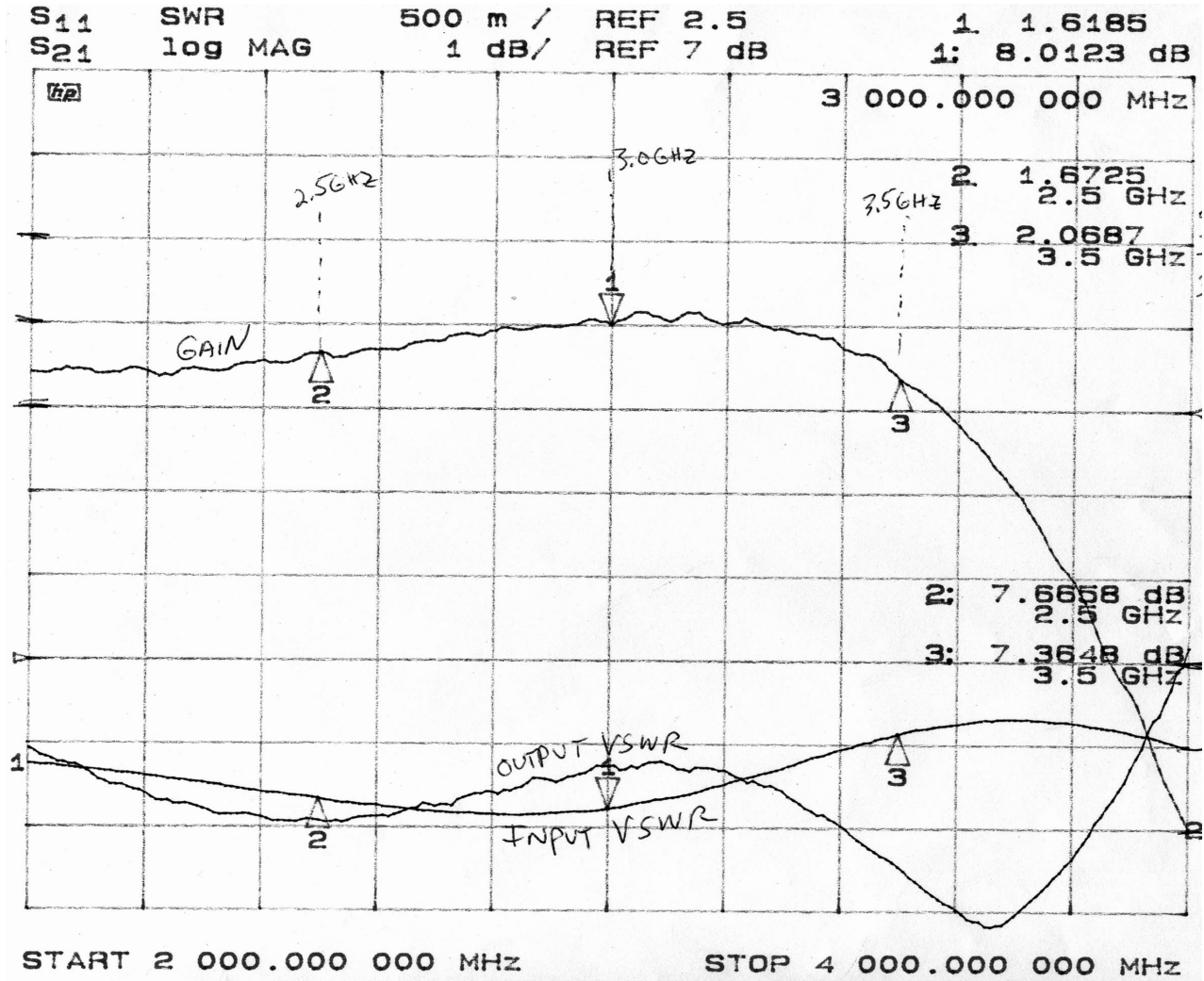
### ENVIROMENTAL CHARACTERISTICS

Parameter	Symbol	Min.	Typ.	Max	Units
Operating Case Temperature	Tc	0		75	°C
Storage Temperature	Tstg	-55		150°C	°C

3009 Old State Rd Telford Pa 18969

Web: [www.amplifiersolutions.com](http://www.amplifiersolutions.com)  
 Email: [sales@amplifiersolutions.com](mailto:sales@amplifiersolutions.com)

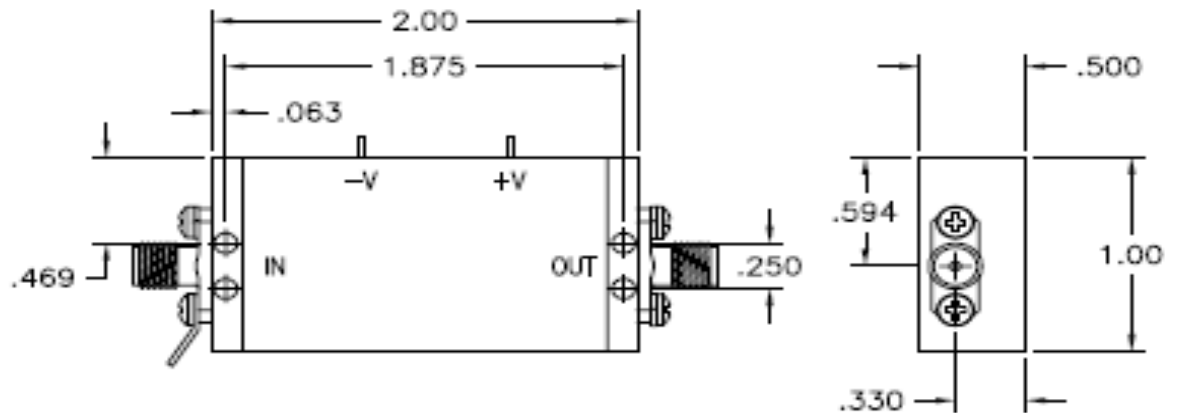
Tel: 215-799-2561  
 Fax: 215-799-2563



3009 Old State Rd Telford Pa 18969

Web: [www.amplifiersolutions.com](http://www.amplifiersolutions.com)  
 Email: [sales@amplifiersolutions.com](mailto:sales@amplifiersolutions.com)

Tel: 215-799-2561  
 Fax: 215-799-2563



3009 Old State Rd Telford Pa 18969

Web: [www.amplifiersolutions.com](http://www.amplifiersolutions.com)  
Email: [sales@amplifiersolutions.com](mailto:sales@amplifiersolutions.com)

Tel: 215-799-2561  
Fax: 215-799-2563