

## RF Amplifier

\* Operating Frequency : 1-300 MHz

\* Gain : 34dB

\* High IP3 44dBm

### ELECTRICAL SPECIFICATION @ VDD= +12 VDC; Temp. = 25°C, 50Ω System

Parameter	Symbol	Min	Typ	Max	Unit
Operating Frequency	BW	1		300	MHz
Gain	G	33	34		dB
Gain Flatness	Δ G		±0.5	±0.75	dB
Noise Figure	N.F.		3.9	4.7	dB
Output Power	P 1dB	27	28.5		dBm
Two Tone Intercept @ 15dBm output per tone	IP3		44		dBm
IP2 @ P Out = + 15dBm	IP2		75		dBm
VSWR in/out	S11/S22		1.6:1	1.9:1	Ratio
Operating Voltage	Vdc		12		Volt
Operating Current	Id		300		mA

### MECHANICAL SPECIFICATION

Parameter	Description	Limits	Units
Dimension	SMA Housing		
Cooling	None		
Monitor Connector	None		

### PROTECTION

		Max	
RF Input Power		30	dBm
Reverse Polarity Protection	N/A		
Load VSWR	Infinite up to 1W		
Stability	100% Tested		

### ENVIRONMENTAL CHARACTERISTICS

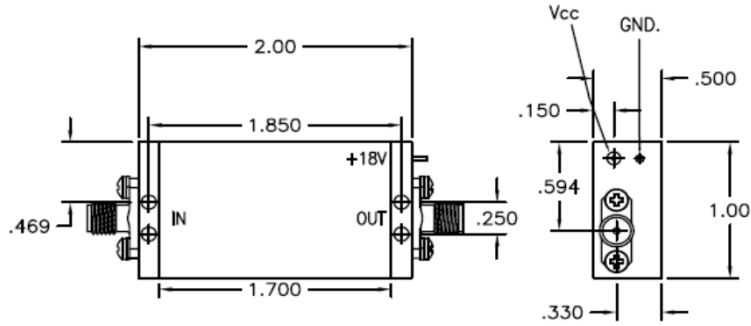
Parameter	Symbol	Min.	Typ.	Max.	Units
Operating Case Temperature	Tc	-20		75	°C
Storage Temperature	Tstg	- 55C		120°C	°C

3009 Old State Road Telford Pa 18969

Web: [www.amplifiersolutions.com](http://www.amplifiersolutions.com)  
 Email: [sales@amplifiersolutions.com](mailto:sales@amplifiersolutions.com)

Tel: 215-997-7856  
 Fax: 215-997-7857

Outline Drawing



Web: [www.amplifiersolutions.com](http://www.amplifiersolutions.com)  
Email: [sales@amplifiersolutions.com](mailto:sales@amplifiersolutions.com)

3009 Old State Road Telford Pa 18969

Tel: 215-997-7856  
Fax: 215-997-7857