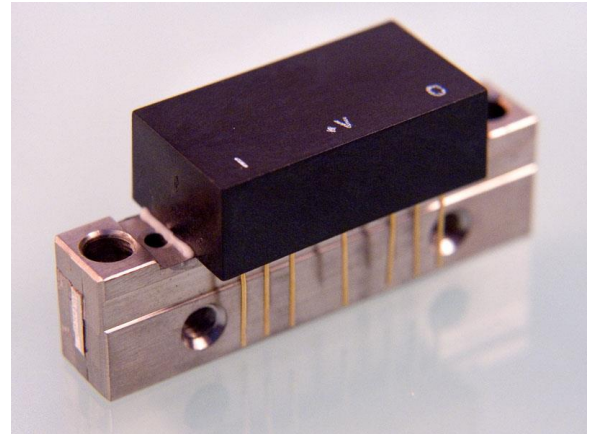


Features: (typical values)

- Output Power – 2500mW. @ 1dB. compression, f=200 MHZ
- Low Noise Figure – 3.6 dB.
- IP3 – 46 dBm. @ f = 200 MHZ
- IP2 – 80 dBm.
- Usable for 50 – 100 ohm systems
- Unconditional Stability

28 Suffix Indicates 28 Volts
 LF Suffix Indicates Lead Free Rohs

**1 – 200 MHz
 35.0 dB CATV Wideband Linear
 Amplifier**



Maximum Ratings

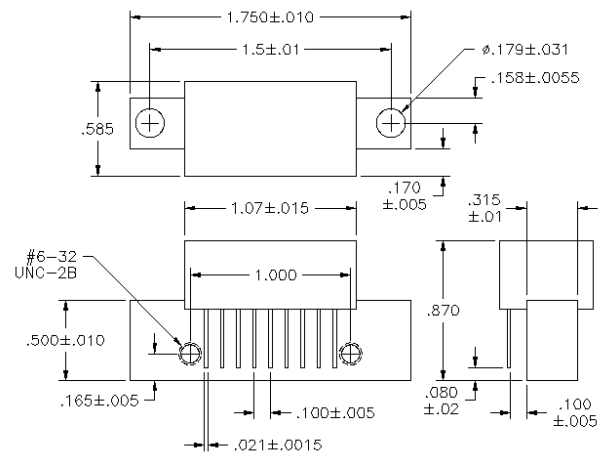
Storage temperature -55°C to +125°C
 DC Operating Voltage +30.0 volts
 RF Input Voltage +5 dBm. Max.
 Operating Base Temp. -40 to +90°C

Specifications @ Tcase = 25°C, Vcc = 28V, 50 ohm systems unless otherwise noted.

Parameter	Typical Conditions	Min Value	Max Value	Units
Frequency Range		1	200	MHZ.
Power Gain	35.5	34.0	37.0	dB.
Gain Flatness (peak to peak)	0.5		1.0	dB.
Input VSWR	1.5		2.0:1	-
Output VSWR	1.5		2.0:1	-
Noise Figure (f = 200mhz)	4.5		6.5	dB.
Power Output- 1dB Compression (f = 1-200 MHz)	1500	1260		mW.
Power Output- 1 dB Compression (f=150 MHz)	2000			mW.
Third Order Intercept (IP3)	48	45		dBm.
Second Order Intercept (IP2)	80	60		dBm.
Peak Envelope Power (PEP)	900	600		mW.
Supply Current	460		500	mA.

Pin Configuration

PIN#	Description
1	Input
2,3,7,8	Ground
5	+V.
9	Output
4, 6	Not used



FINAL TEST REPORT

TEST	LIMIT / S/N	ACTUAL DATA
Gain 1 MHz to 200 MHz	34.5 dB min 37.5 dB max	35.2 35.8
Gain Flatness (peak to peak) 1 MHz to 200 MHz	1.5 dB max	0.6
Noise Figure @ 200 MHz	6.5 dB max	4.27
DC Current at +28 Vdc	500 mA max	423
Input/Output VSWR 1 MHz to 200 MHz	2.0: 1 max	1.57 1.32
Power Output @ 1dB Comp @ 1 MHz	31 dBm min	31.6
P 1.0 dB Compression @ 150 MHz	32.5 dBm Typ	32.6
IP3 @ Pout = +15.0 dBm 1) F(1,2)= 2,3 MHz Fc(1,4 MHz) 2) F(1,2)= 148,149 MHz Fc(147,150 MHz)	+45.0 dBm min	46.0
IP2 @ Pout = +15.0 dBm 1) F(1,2) = 200,198 MHz Fc = 2.0 MHz 2) F(1,2) = 198,2 MHz Fc = 200 MHz	+60.0 dBm min	71.0
Stability Test for all frequency range where S21 > 0 dB	0 dB max	<0

