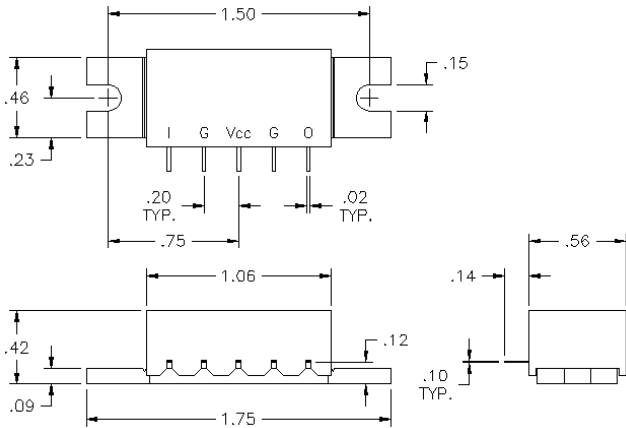


ASC304 2300-2400 MHz. Ultra Linear Power Amplifier

Typical Performance Curves @ 25°C



Features: (typical values)

- High IP3 +52.0 dBm.
- Low NF 2.7 dB.
- High Output Power +36.2 dBm.
- Low Cost
- No external components required

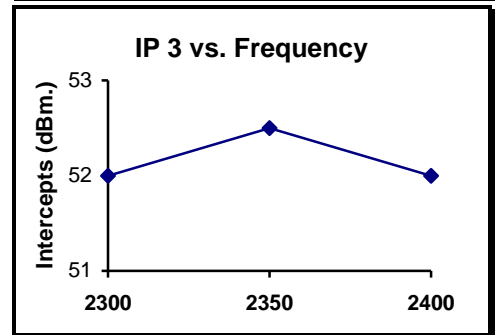
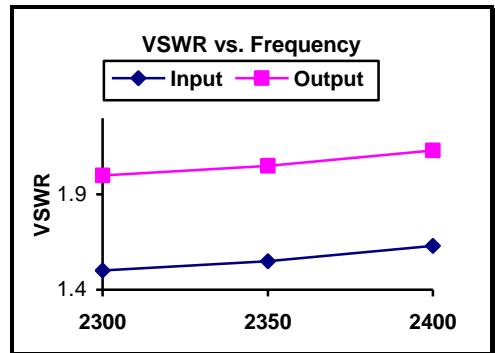
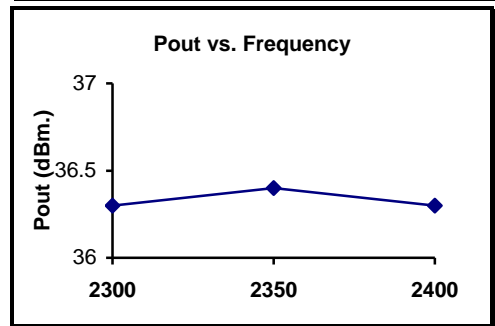
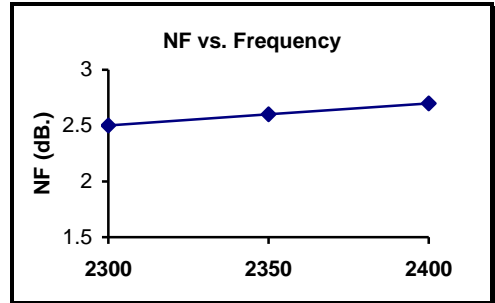
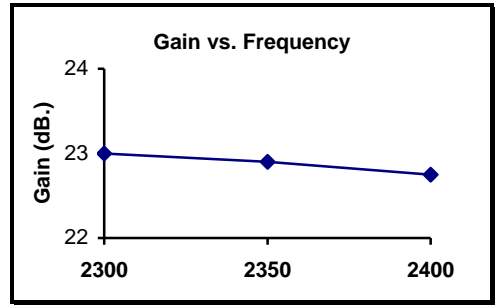
Specifications (Referenced to 50 ohms)

Parameter	Typical Value	Min. Value	Max. Value	Units
Frequency		2300	2400	MHz.
Gain	23.5	21.0		dB.
Gain Flatness	±0.5			dB.
Reverse Isolation	40			dB.
Pout @ 1dB. Comp.	36.2	35.5		dBm.
Noise Figure	2.7		4.0	dB.
IP3 (two tone)	+52.0	+50.0		dBm.
VSWR (Input/Out)	1.5:1/2:1		2.0:1/2.5:1	
Supply Req'd	+10/1350		+10/1500	v./mA.

IP3 measured with 2 tones @ +22 dBm. per tone
Min. and max. values are from 0°C to +85°C

Maximum Ratings

Storage Temperature	-40°C to +125°C
DC Voltage	+12 volts
RF Input Power	+28 dBm.
Case Temperature	+95°C



FUNCTIONAL BLOCK DIAGRAM

