

Features: (typical values)

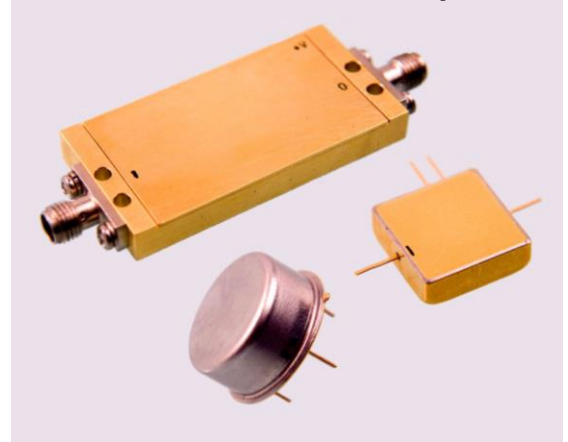
- Low Distortion
- High Second Order IP2 +95.0 dBm.
- High Third Order IP3 +47.0 dBm.
- No external components required

Maximum Ratings

Storage Temperature -62°C to +125°C
 DC Voltage +25 volts
 RF Input Power +15.0 dBm.
 Case Temperature +95°C

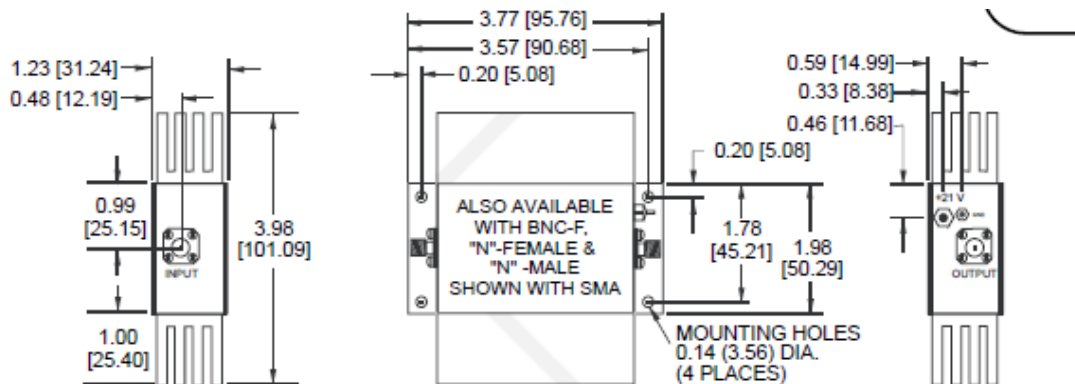
Specifications (Referenced to 50 ohms)

60-250 MHz Push-Pull Wideband Amplifier

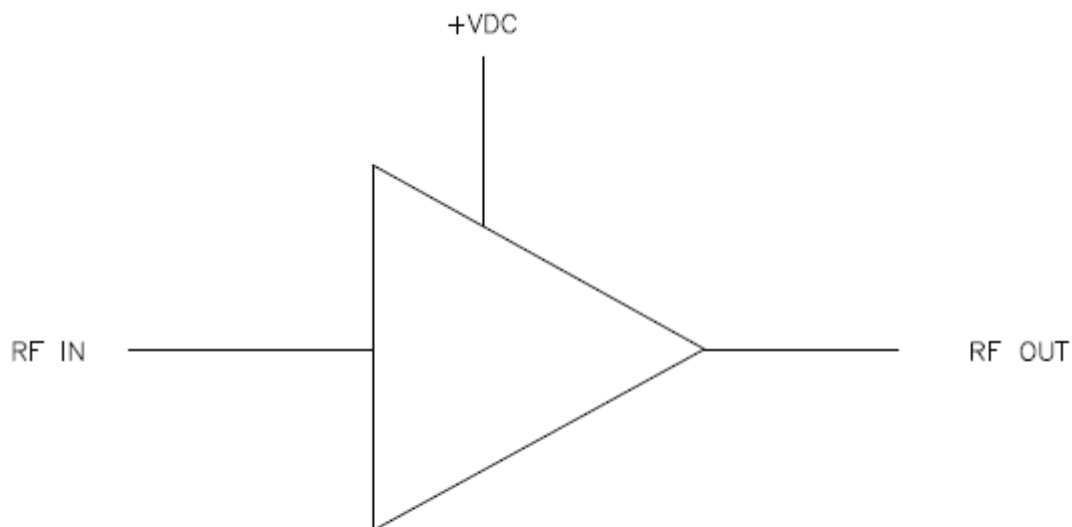


Parameter	Typical Conditions	Min Value	Max Value	Units
Frequency		60	250	MHz.
Gain	17	15		dB.
Gain Flatness	±0.4		±0.6	dB.
Gain Var. over temp	0.7			ΔdB.
Pout @ 1dB Comp	+30	+28		dBm.
Noise Figure	4.0		6.0	dB.
Reverse Isolation	25			dB.
IP ₃ /IP ₂ (two-tone)*	47/95			dBm.
HIP2 (2 nd harm.)	95			dBm.
VSWR In/Out	1.7:1		2.0:1	
Supply Required	+24/450		+24/470	v/mA.

Min. and max. values are from -40°C to +85°C
 *IP₃ and IP₂ are in band output intercept points



FUNCTIONAL BLOCK DIAGRAM



NO EXTERNAL COMPONENT REQUIRED