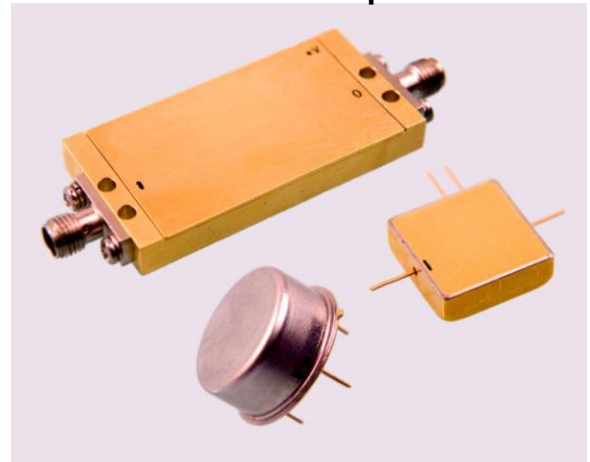


Features: (typical values)

- Low Distortion
- High Second Order IP2 +70.0 dBm.
- High Third Order IP3 +37.0 dBm.
- High Gain..... +21 dB.
- No external components required

10-500 MHz Push-Pull Amplifier



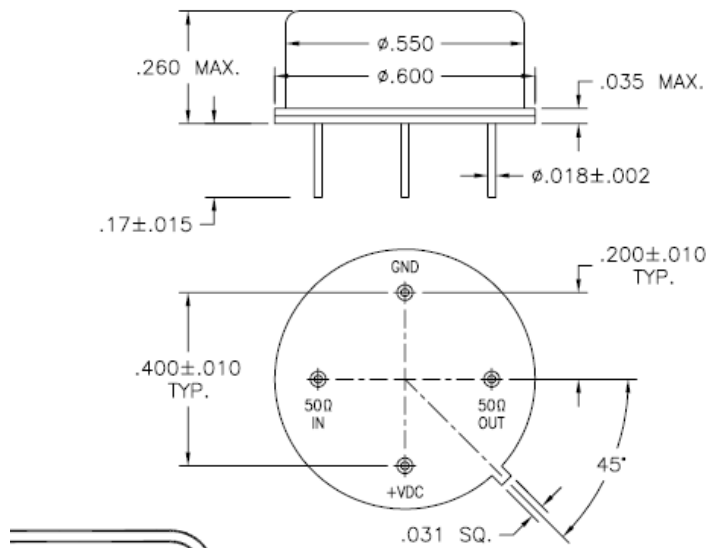
Maximum Ratings

Storage Temperature -55°C to +125°C
 DC Voltage +17 volts
 RF Input Power +15.0 dBm.
 Case Temperature +95°C

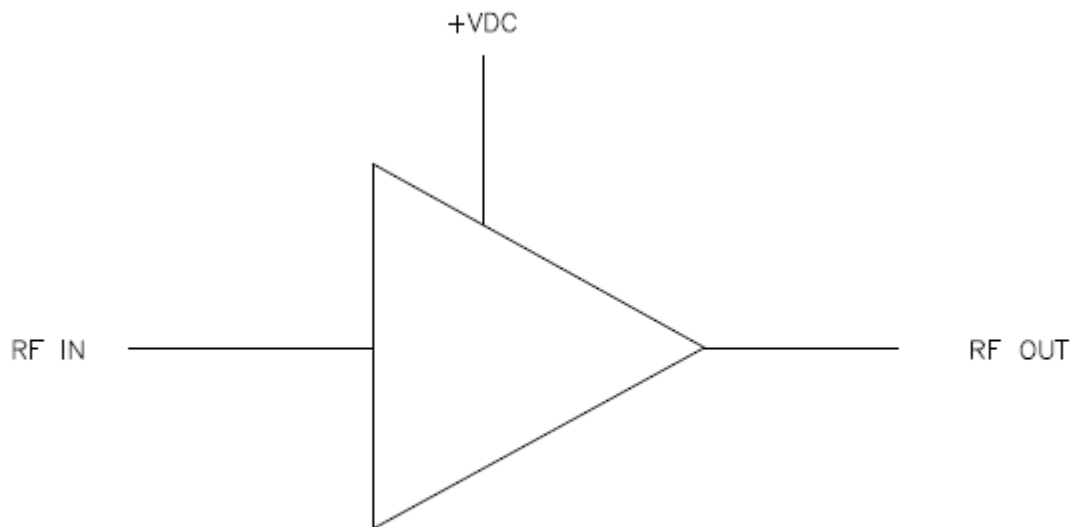
Specifications (Referenced to 50 ohms)

Parameter	Typical Conditions	Min Value	Max Value	Units
Frequency		10	500	MHz.
Gain	21	19	22	dB.
Gain Flatness	±0.3		±0.7	dB.
Gain Var. over temp.	0.5			ΔdB.
Pout @ 1dB Comp	+25	+23		dBm.
Noise Figure	3.5		5.0	dB.
Reverse Isolation	30			dB.
IP ₃ /IP ₂ (two tone)*	37/70			dBm.
HIP2 (2 nd harm.)	75			dBm.
VSWR In/Out	1.4:1		2.0:1	Ratio
Supply Required	+15/160		+15V/169	v/mA

Min. and max. values are from -40°C to +85°C
 *IP₃ and IP₂ are in band output intercept points



FUNCTIONAL BLOCK DIAGRAM



NO EXTERNAL COMPONENT REQUIRED