

**Features: (typical values)**

- High Gain ..... 20 dB.
- Medium Noise Figure ..... 3.0 dB.
- Medium Output Power ..... +17.0 dBm.
- High Reliability
- ASC663F for Hermetic Package (Surface Mount available)
- ASC663C for SMA-F connectorized
- No external components required

**10-2000 MHz  
Wideband Amplifier  
Gain Block  
Super Low Cost**

**Maximum Ratings**

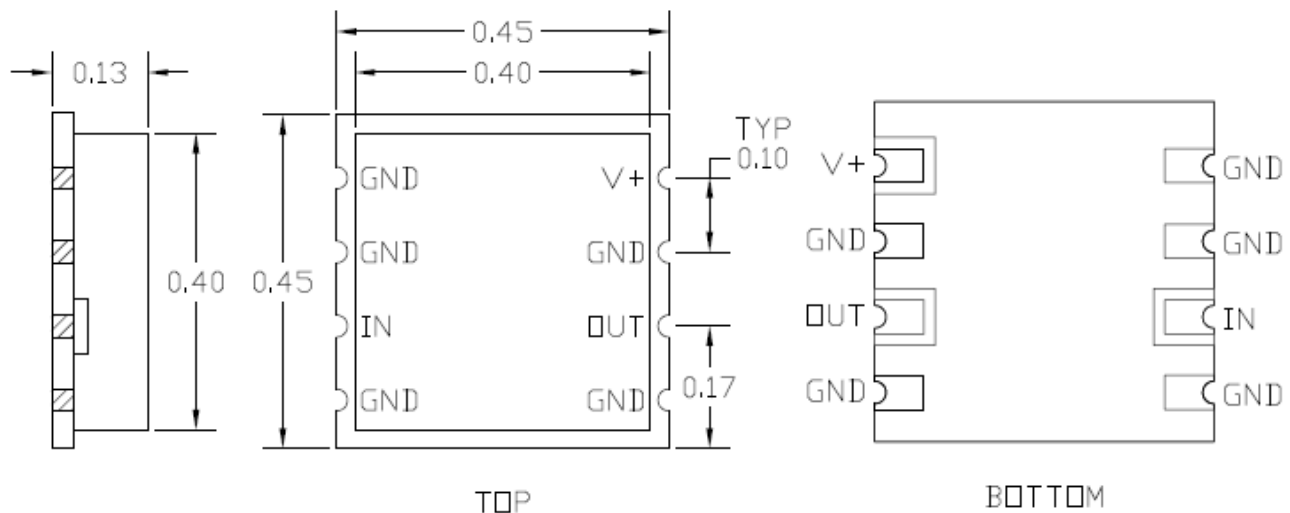
Storage Temperature ..... -62°C to +125°C  
 DC Voltage ..... +7 volts  
 RF Input Power ..... +13.0 dBm.  
 Case Temperature ..... +100°C

Specifications (Referenced to 50 ohms)

Parameter	Typical Conditions	Min Value	Max Value	Units
Frequency		10	2000	MHz.
Gain	20	19.0		dB.
Gain Flatness	±0.5		±1.0	dB.
Gain Var. over temp	0.6			ΔdB.
Pout @ 1dB Comp	+17.0	+15.0		dBm.
Noise Figure	3.0		4.0	dB.
Reverse Isolation	24			dB.
IP <sub>3</sub> /IP <sub>2</sub> (two-tone)*	30/43	27/40		dBm.
HIP2 (2 <sup>nd</sup> harm.)	50.0			dBm.
VSWR In/Out	1.8:1		2.0:1	
Supply Required	+5/73		+5/80	v/mA.

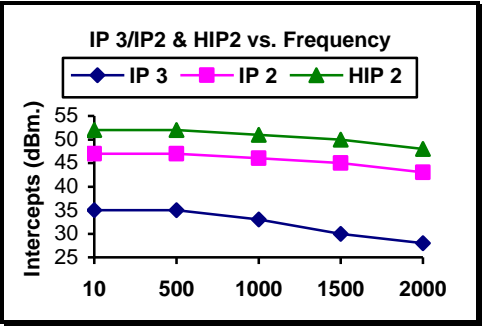
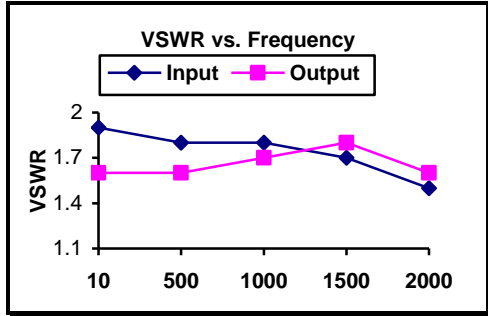
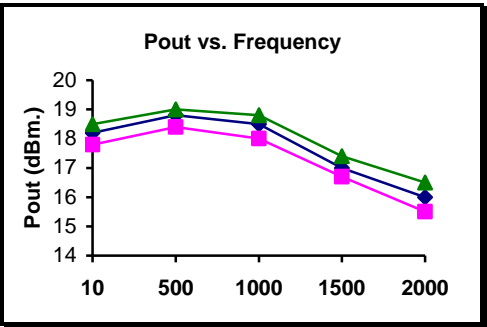
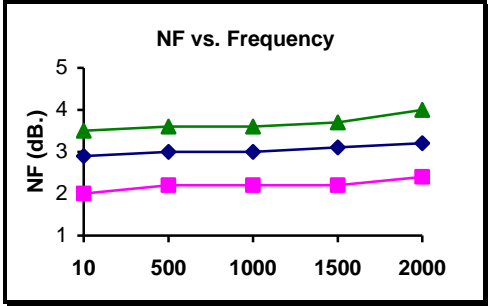
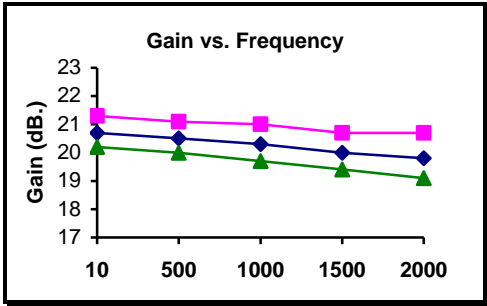
Min. and max. values are from 0°C to +85°C

\*IP<sub>3</sub> and IP<sub>2</sub> are in band output intercept points



**Typical Performance Curves**

-■- -55°C -◆- +25°C -▲- +85°C



FUNCTIONAL BLOCK DIAGRAM

