

ASC2615C

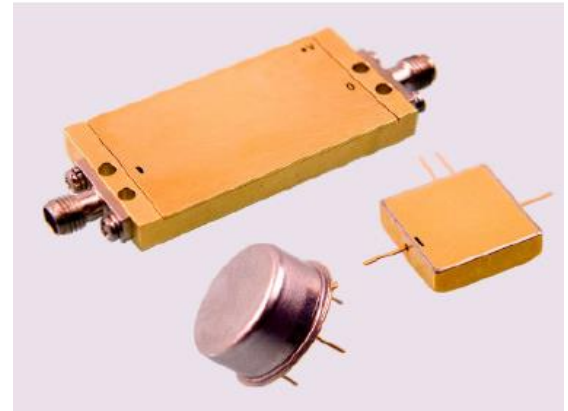
200-2000 MHz Amplifier

Features: (typical values)

- Bandwidth 200-2000 MHz.
- Power Out 20 dBm.
- Medium Gain 20 dB.
- Reverse Polarity Protection Optional
- No external components required

Maximum Ratings

Storage Temperature -62°C to +125°C
 DC Voltage +17 volts
 RF Input Power +10 dBm.
 Case Temperature +100°C

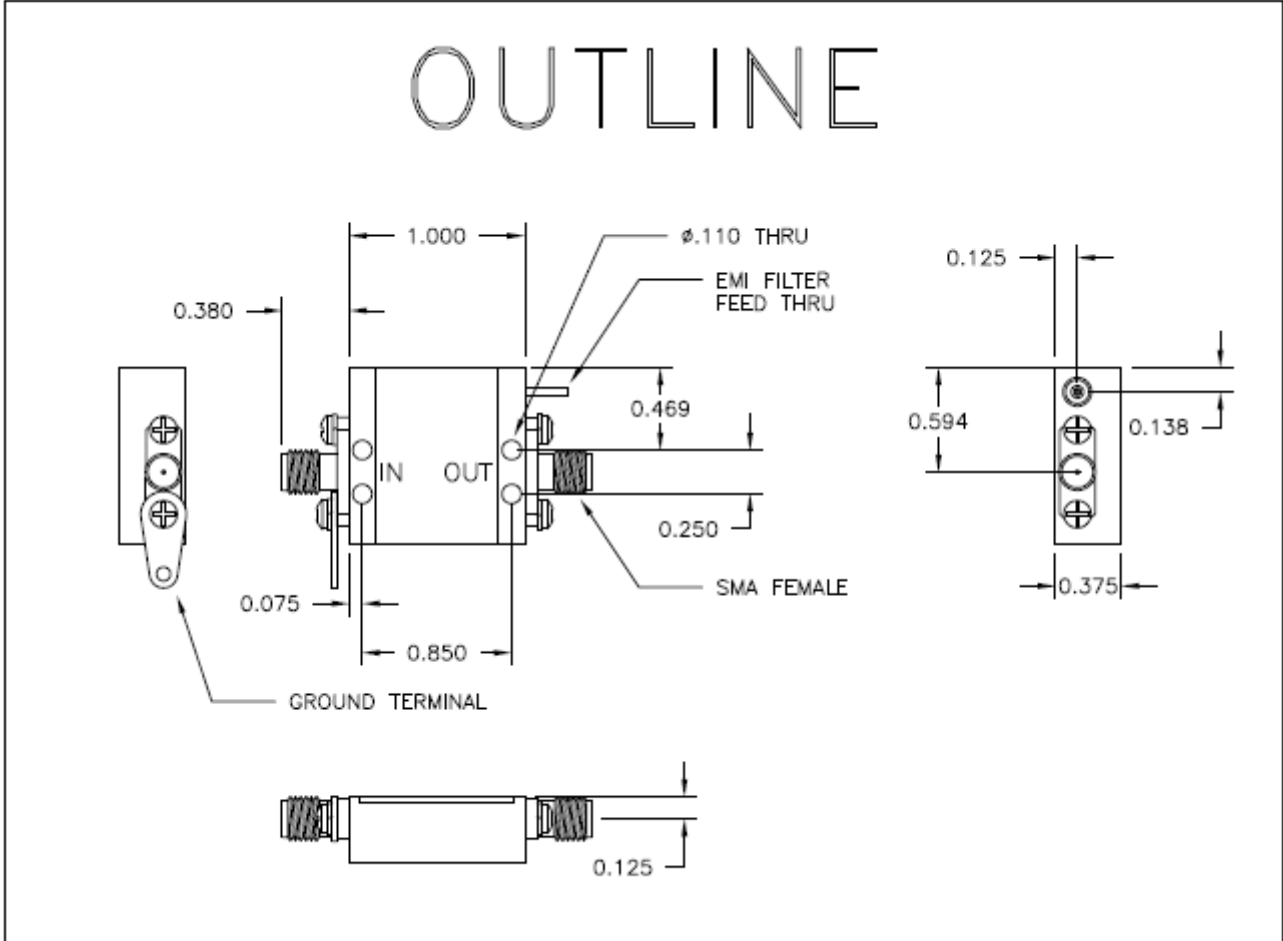


Specifications (Referenced to 50 ohms)

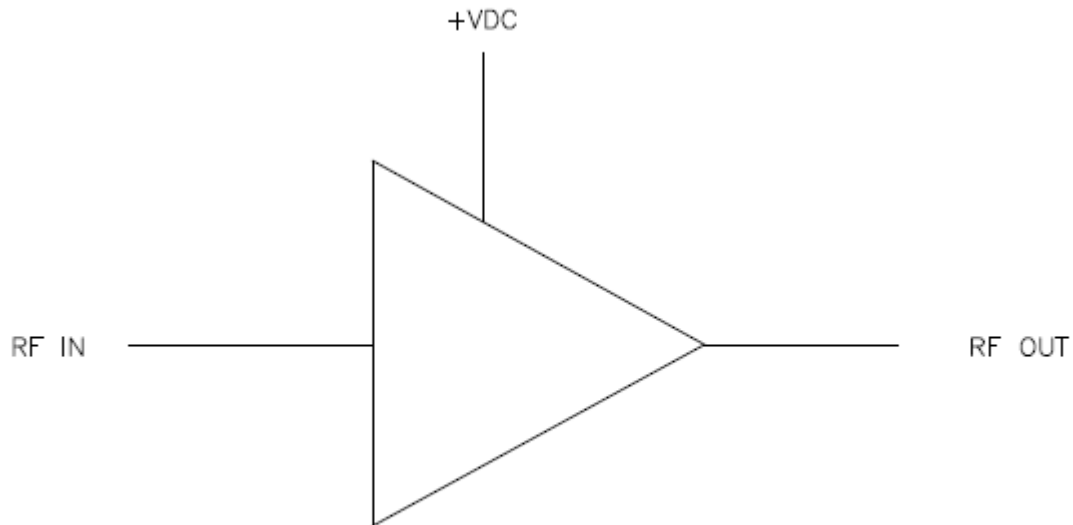
Parameter	Typical Conditions	Min Value	Max Value	Units
Frequency		200	2000	MHz.
Gain	20	16		dB.
Gain Flatness	±0.7		±1.0	dB.
Gain Var. over temp	0.6			ΔdB.
Pout @ 1dB Comp	+20	+19		dBm.
Noise Figure	0.9		1.0	dB.
IP ₃ @ two input tone of +5dBm	30			dBm.
VSWR In/Out	1.8:1		2.0:1	
Supply Required	+15/75		+15/100	v/mA.

Min. and max. Values are from -20°C to +70°C

OUTLINE



FUNCTIONAL BLOCK DIAGRAM



NO EXTERNAL COMPONENT REQUIRED