

# ASC2711C

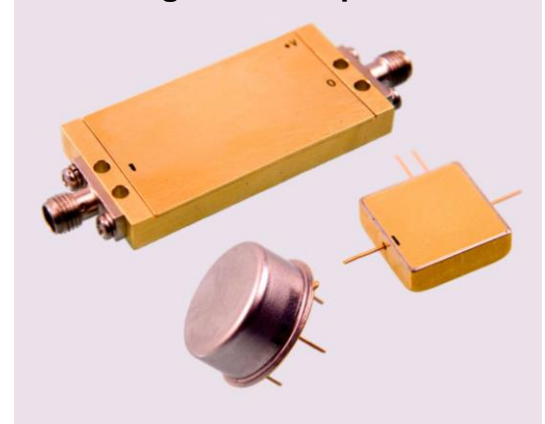
## Features: (typical values)

- Output Power ..... +22 dBm.
- Low Noise ..... 3.5 dB.
- High IP3 ..... +35 dBm.
- Low VSWR ..... 1.8:1.
- No external components required

## Maximum Ratings

Storage Temperature ..... -62°C to +125°C  
 DC Voltage ..... +12 volts  
 RF Input Power ..... 0 dBm.  
 Case Temperature ..... +95°C

## 1-30 MHz High Gain Amplifier

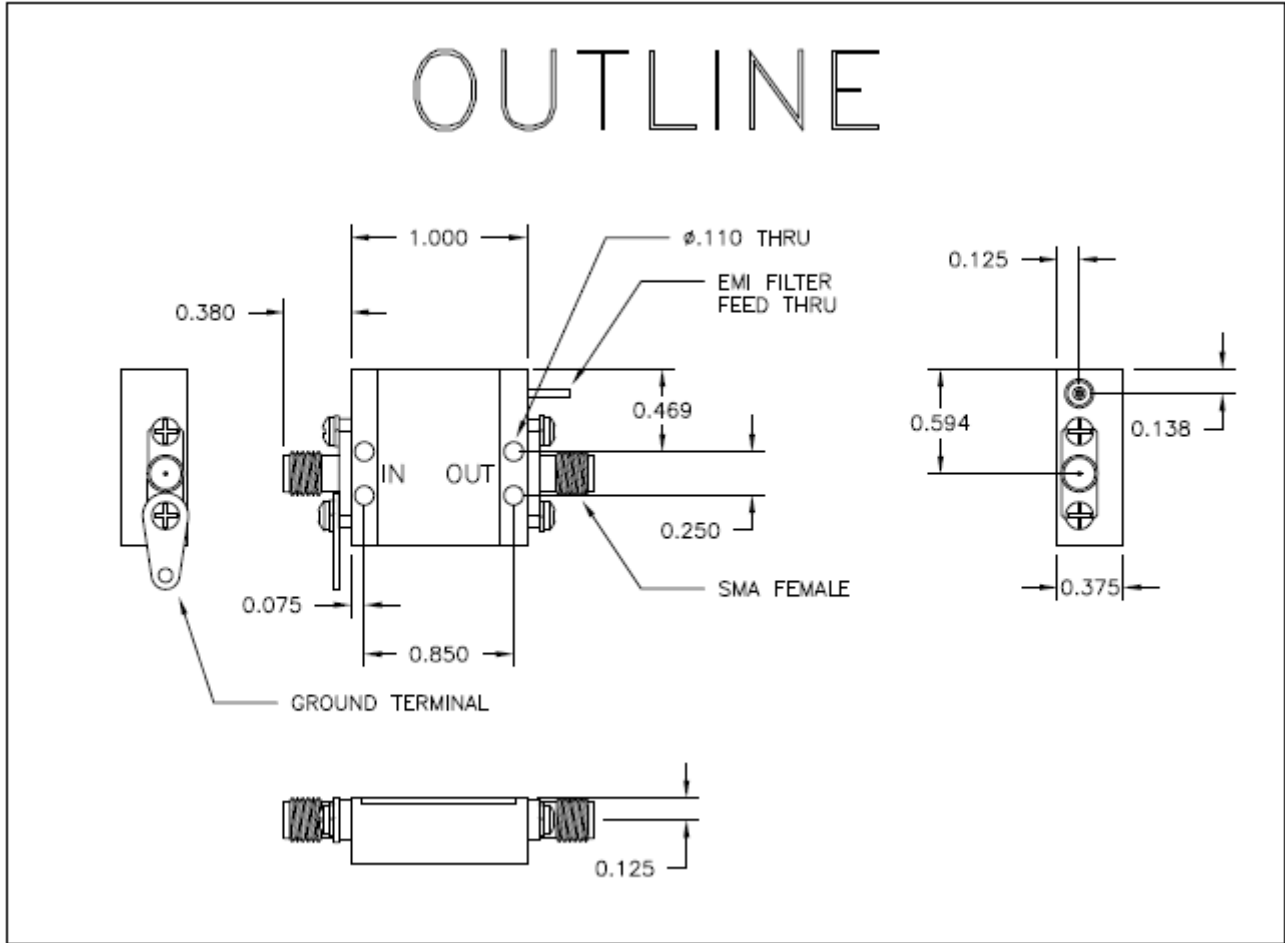


Specifications (Referenced to 50 ohms)

Parameter	Typical Conditions	Min Value	Max Value	Units
Frequency		1	30	MHz.
Gain	33	30		dB.
Gain Flatness	±0.3		±0.5	dB.
Pout @ 1dB Comp	+22.0	+20.0		dBm.
NF	3.5		4.0	dB.
Reverse Isolation	40.0			dB.
IP <sub>3</sub> /IP <sub>2</sub> (two-tone)	35/60			dBm.
VSWR In/Out	1.8:1		2.0:1	
Supply Required	+12/270		+12/300	v/mA.

Min. and max. values are from -54°C to +85°C

# OUTLINE



FUNCTIONAL BLOCK DIAGRAM

