

Wide Band RF Amplifier

- * Operating Frequency : 2.4-2.5 GHz.
- * Saturated Power : 20W Psat Typical
- * Gain : 20 dB.
- * No external components required

ELECTRICAL SPECIFICATION @ VDD= +12V; Temp. = 25°C, 50Ω System

Parameter	Symbol	Min	Typ	Max	Unit
Operating Frequency	BW	2.4		2.5	GHz.
Gain	G	19	20		dB.
Gain Flatness	Δ G		±0.3	±0.4	dB.
Power Output	Psat	42	43		dBm.
Return Loss in/out	S11/S22		2.0:1	2.5:1	Ratio
Operating Voltage	Vdc		12		Volt
Operating Current Idq	Idq		3000	3200	mA.

MECHANICAL SPECIFICATION

Parameter	Description	Limits	Units
Dimension	2x1x0.5		inches
RF Connectors IN/OUT	SMA-F		
DC Connector	Filtered DC		

PROTECTIONS

	Max	
RF Input Power	10	dBm.
Reverse Polarity Protection	Optional	
Load VSWR	5:01	RATIO
Stability	Unconditional	

ENVIROMENTAL CHARACTERISTICS

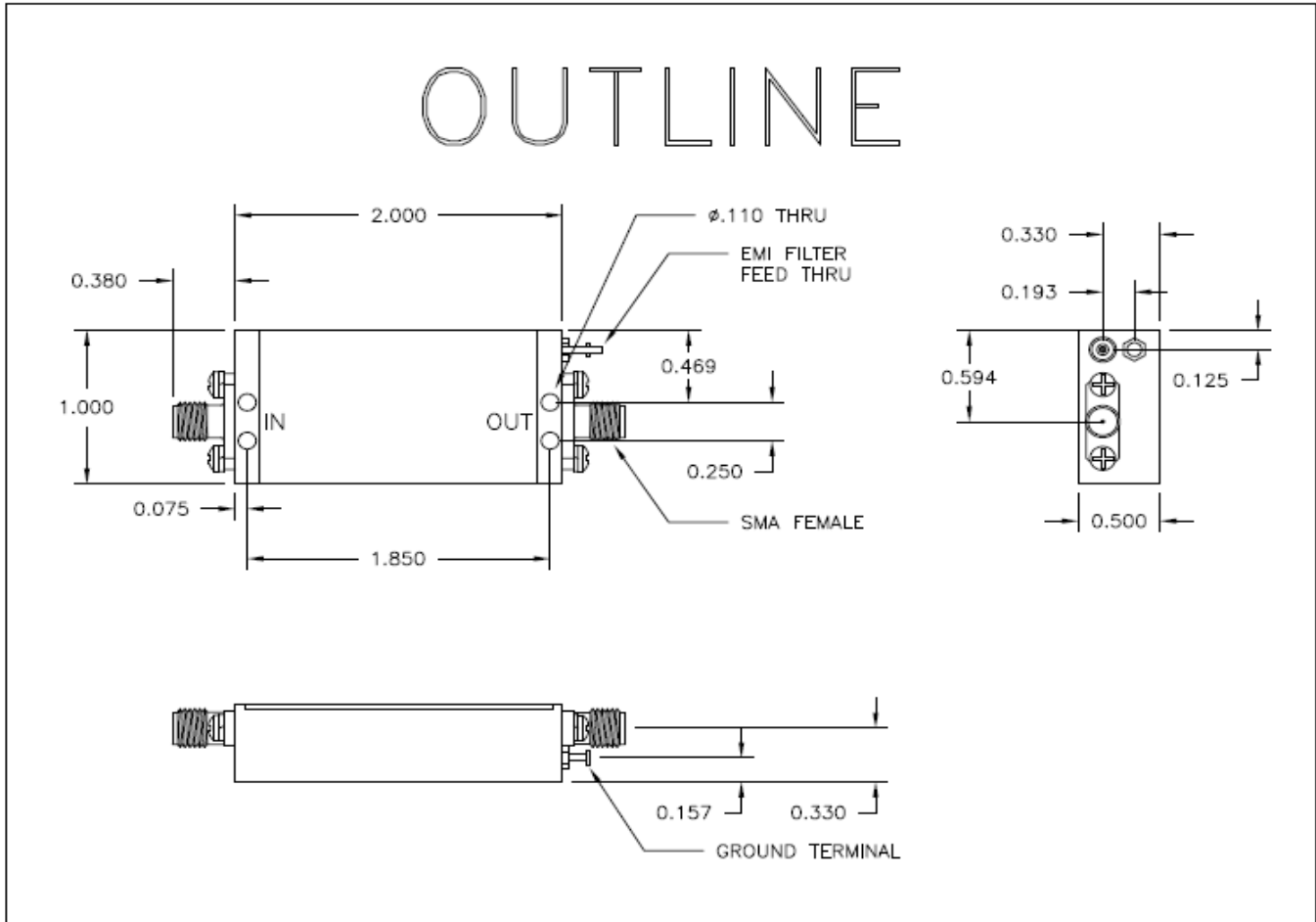
Parameter	Symbol	Min.	Typ.	Max	Units
Operating Case Temperature	Tc	0		75	°C
Storage Temperature	Tstg	-55		125°C	°C

3009 Old State Road, Telford, PA 18969

Web: www.amplifiersolutions.com
 Email: sales@amplifiersolutions.com

Tel: 215-799-2561
 Fax: 215-799-2563

Outline Drawing

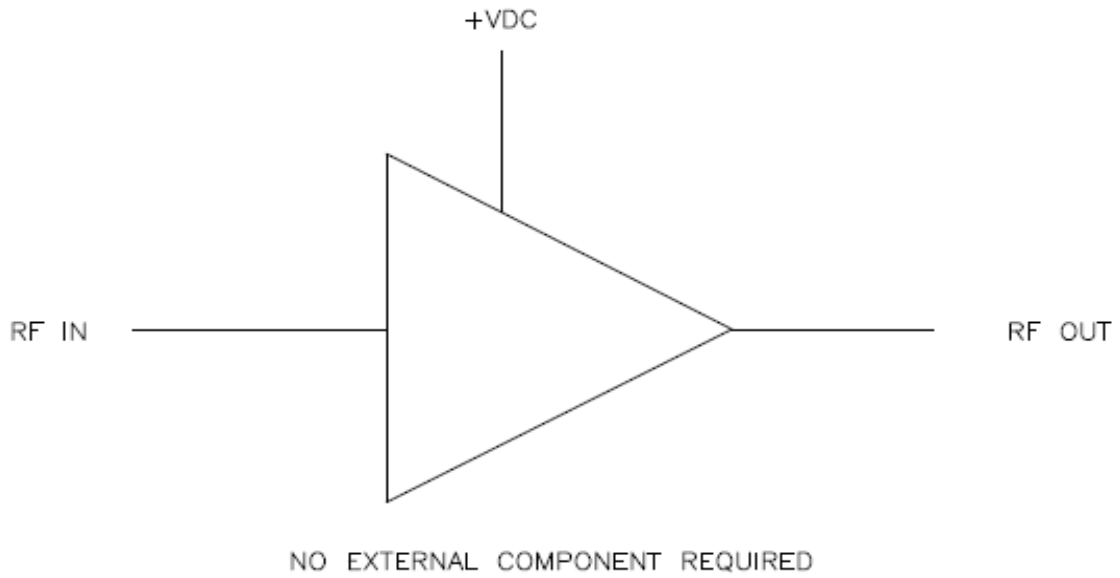


3009 Old State Road, Telford, PA 18969

Web: www.amplifiersolutions.com
Email: sales@amplifiersolutions.com

Tel: 215-799-2561
Fax: 215-799-2563

FUNCTIONAL BLOCK DIAGRAM



3009 Old State Road, Telford, PA 18969

Web: www.amplifiersolutions.com
Email: sales@amplifiersolutions.com

Tel: 215-799-2561
Fax: 215-799-2563