

RF Amplifier

- * Operating Frequency :1-50 MHz
- * Linear Power : +29 dBm
- * Saturated Power : +32 dBm
- * Noise Figure : 3.5 dB
- * Gain : 19 dB



Description: Designed for linear application in the 1-50MHz range. This amplifier utilizes bi-polar transistors that provide high gain, wide dynamic range and excellent 2nd & 3rd OIP.
Suggested applications: Multicarrier, Pulse, AM&FM modulation

ELECTRICAL SPECIFICATION @ VDD= +24 VDC; Temp. = 25 °C, 50Ω System

Parameter	Symbol	Min	Type	Max	Unit
Operating Frequency	BW	1		50	MHz
Gain	G	17	19		dB
Gain Flatness	Δ G		±0.25	± 0.5	dB
Noise Figure	NF		3.5	5	dB
Power Output P1dB	P1dB	28	29		dBm
Output 3rd Order Intercept Point	OIP3	43	46		dBm
Output 2nd Order Intercept Point	OIP2	85	90		dBm
VSWR in/out	S11/S22		1.4 :1	1.6 :1	Ratio
Operating Voltage	Vdc		24		Volt
Operating Current	Id		220	240	mA

MECHANICAL SPECIFICATION

Parameter	Description	Limits	Units
Dimension	1.0 x 1.0 x 0.375		In
RF Connectors IN/OUT	SMA-F Field Replaceable		
DC Connector	Filtered Solder Feed Thru		
Cooling	none		

PROTECTIONS

RF Input Power	18 dBm	Max	
Reverse Polarity Protection	Option		
Load VSWR	Infinite up to 1W		
Stability	100% Tested		

ENVIROMENTAL CHARACTERISTICS

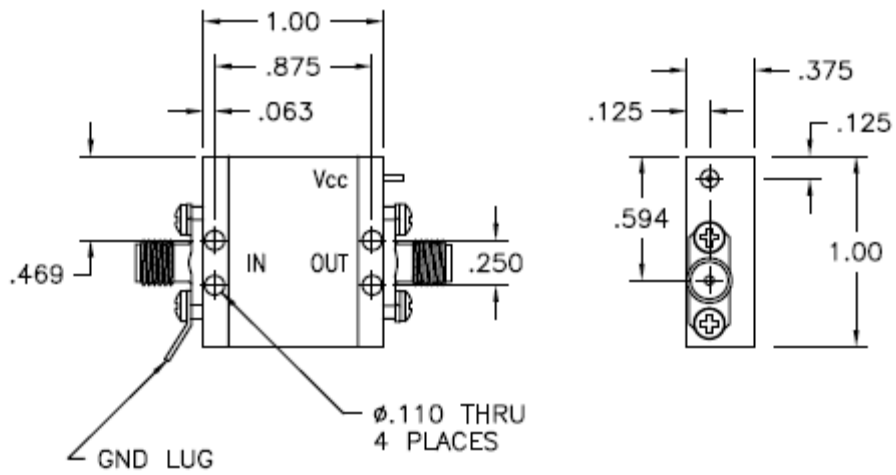
Parameter	Symbol	Min.	Type.	Max.	Units
Operating Case Temperature	Tc	0°C		70°C	°C
Storage Temperature	Tstg	- 40C		120°C	°C

3009 Old State Rd, Telford, PA 18969

Web: www.amplifiersolutions.com
 Email: sales@amplifiersolutions.com

Tel: 215-799-2561
 Fax: 215-799-2563

Outline Drawing



3009 Old State Rd, Telford, PA 18969

Web: www.amplifiersolutions.com
Email: sales@amplifiersolutions.com

Tel: 215-799-2561
Fax: 215-799-2563