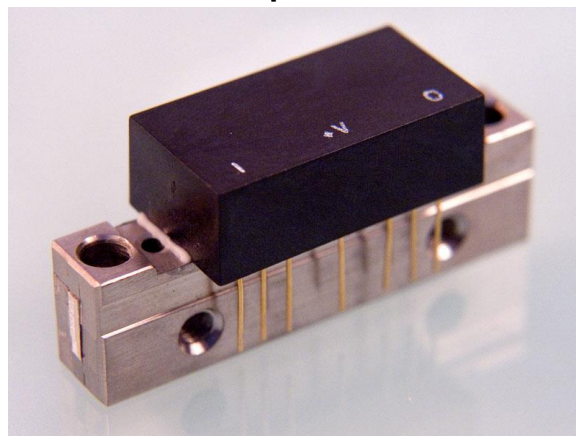


**Features: (typical values)**

- Output Power – 1000mW. @ 1dB. compression,
- Noise Figure – 5.0 dB.
- IP3 – 46 dBm.
- IP2 – 90 dBm.
- Unconditional Stability
- No external components required

**0.5-110 MHz  
19.0 dB CATV  
Amplifier**



**Maximum Ratings**

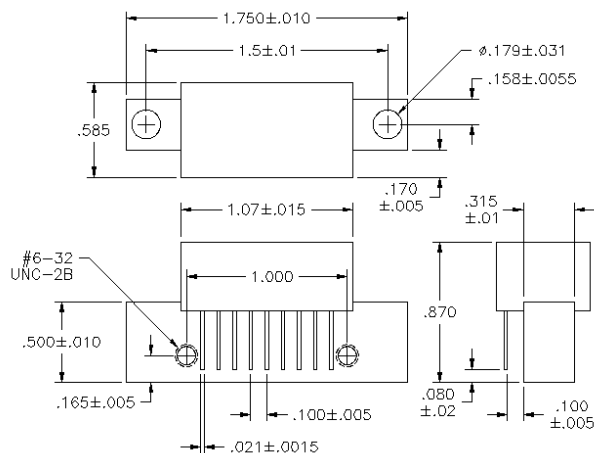
Storage temperature ..... -55°C to +125°C  
 DC Operating Voltage ..... +17.0 volts  
 RF Input Voltage ..... +5 dBm. Max.  
 Operating Base Temp. .... -40 to +90°C

Specifications @ Tcase = 25°C, Vcc = 15V, 50 ohm systems unless otherwise noted.

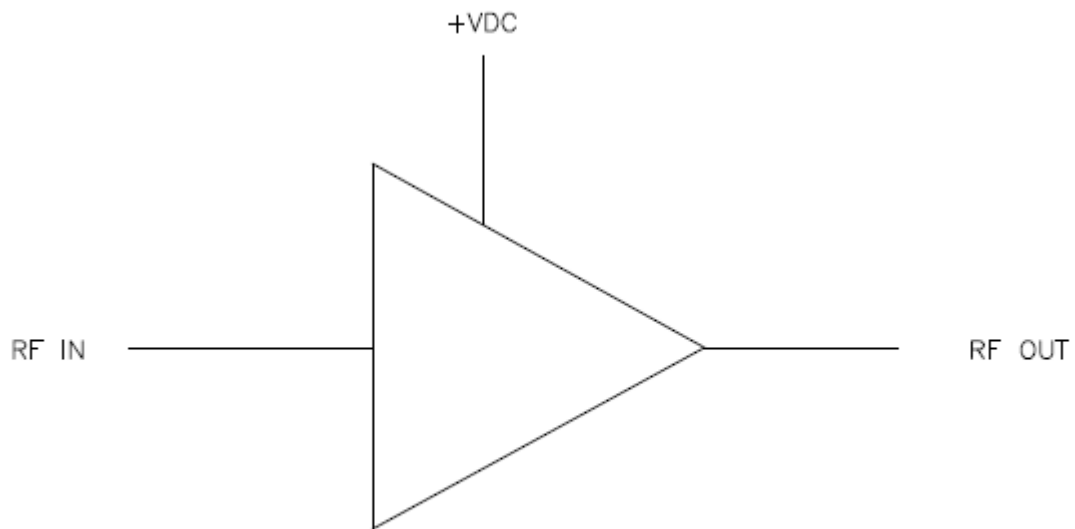
Parameter	Typical Conditions	Min Value	Max Value	Units
Frequency Range		0.5	110	MHz.
Power Gain	19.0	17		dB.
Gain Flatness (peak to peak)	0.5		1.0	dB.
Input VSWR	1.5		2.0:1	-
Output VSWR	1.5		2.0:1	-
Noise Figure ( f = 200mhz )	4		5	dB.
Power Output- 1dB Compression	30	28		dBm.
Third Order Intercept (IP3) @ 15 dBm per tone	47	44		dBm.
Second Order Intercept (IP2) @ 15 dBm per tone	90	80		dBm.
Supply Current @ 15 Volts	300		320	mA.

**Pin Configuration**

PIN#	Description
1	Input
2,3,7,8	Ground
5	+V.
9	Output
4, 6	Not used



FUNCTIONAL BLOCK DIAGRAM



NO EXTERNAL COMPONENT REQUIRED