

ASC2812C

Features: (typical values)

- Low Noise Figure 1.2 dB.
- Power Out 16 dBm.
- Gain 42 dB.
- No external components required

**8-12 GHz
Low Noise Amplifier**

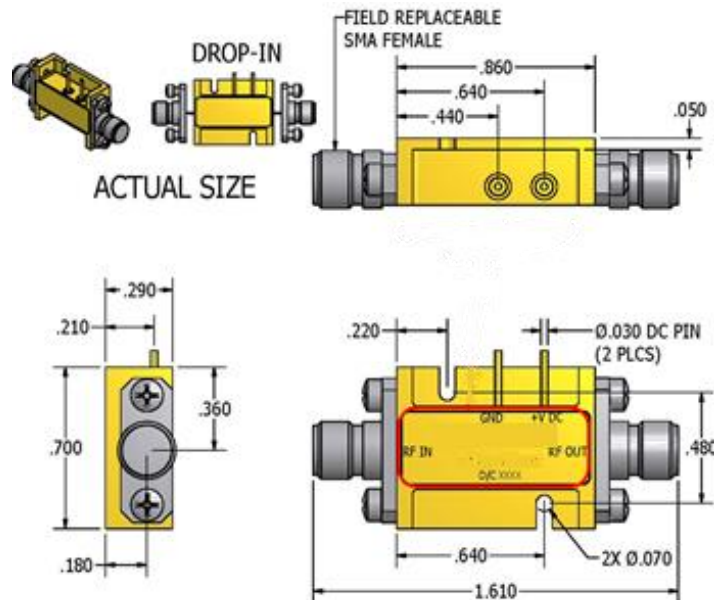
Maximum Ratings

Operating Temperature -20°C to +60°C
 Storage Temperature -20°C to +125°C
 DC Voltage +15 volts
 RF Input Power -25 dBm.
 Case Temperature +100°C

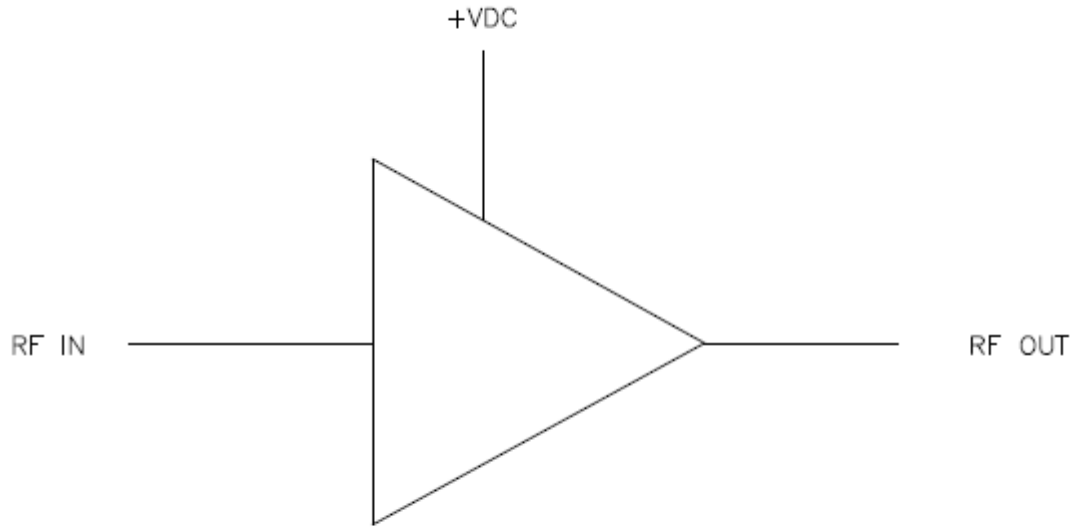
Specifications (Referenced to 50 ohms)

Parameter	Typical Conditions	Min Value	Max Value	Units
Frequency		8	12	GHz.
Gain	42	41		dB.
Gain Flatness	±0.5		±1.0	dB.
Pout @ 1dB Comp	+16	+13		dBm.
Noise Figure	1.1		1.5	dB.
VSWR In/Out	1.8:1		2.0:1	Ratio
Impedance, Input/Output	50 Ohm			
Supply Required	+15/225		+15/500	v/mA.

OUTLINE



FUNCTIONAL BLOCK DIAGRAM



NO EXTERNAL COMPONENT REQUIRED