

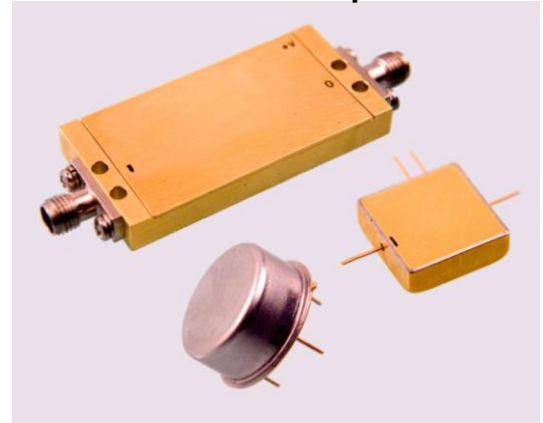
Features: (typical values)

- Noise Figure 3.0 dB.
- High Power 22 dBm.
- Low Cost
- No external components required

Maximum Ratings

Storage Temperature -62°C to +125°C
 DC Voltage +17 volts
 RF Input Power +7.0 dBm.
 Case Temperature +100°C

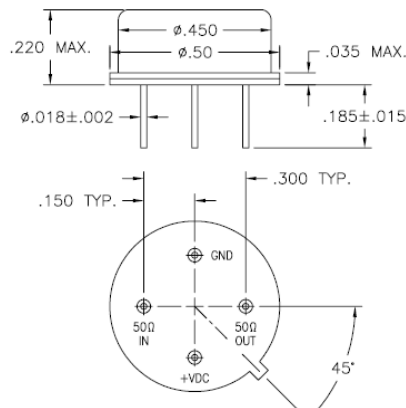
5-500 MHz Cascadable Amplifier



Specifications (Referenced to 50 ohms)

Parameter	Typical Conditions	Min Value	Max Value	Units
Frequency		5	500	MHz.
Gain	11	10		dB.
Gain Flatness	±0.3		±0.5	dB.
Gain Var. over temp	0.6			ΔdB.
Pout @ 1dB Comp	+22	+20		dBm.
Noise Figure	3.0		4.0	dB.
Reverse Isolation	20			dB.
IP ₃ /IP ₂ (two-tone)*	33/39			dBm.
HIP ₂ (2 nd harm.)	40			dBm.
VSWR In/Out	1.5:1		2.0:1	
Supply Required	+15/95		+15/100	v/mA.

Min. and max. values are from -55°C to +85°C
 *IP₃ and IP₂ are in band output intercept points



FUNCTIONAL BLOCK DIAGRAM

