

Features: (typical values)

- High Gain 16 dB.
- Medium Noise Figure 6.0 dB.
- Medium Output Power +16.0 dBm.
- High Reliability
- ASC664F for Hermetic Package (Surface Mount available)
- ASC664C for SMA-F connectorized
- No external components required

**10-4000 MHz
Wideband Amplifier
Gain Block
Super Low Cost
Super Gain Flatness**

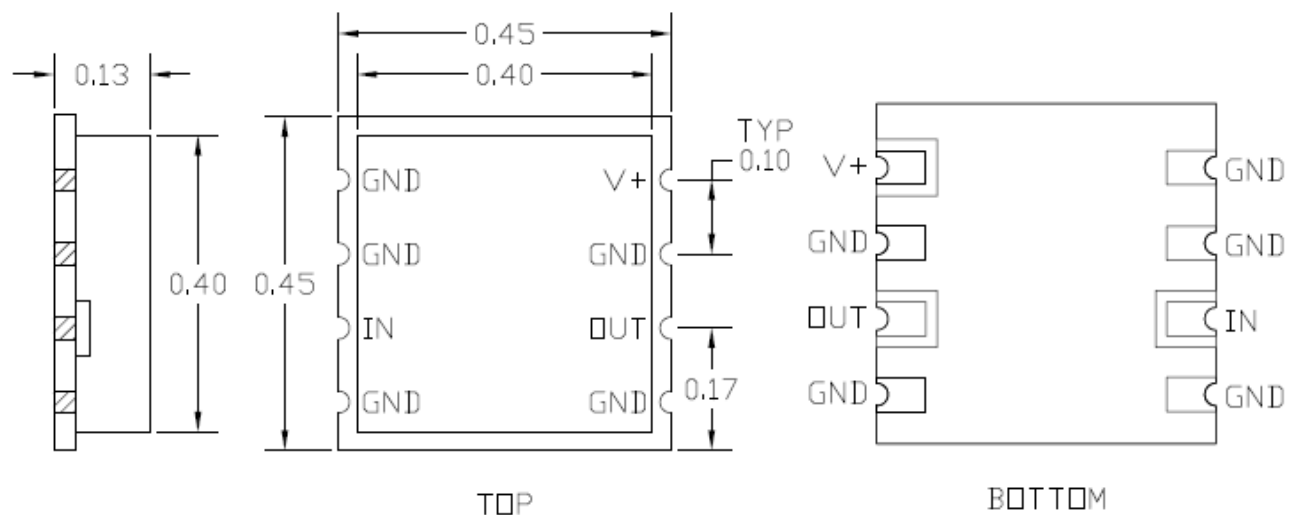
Maximum Ratings

Storage Temperature -62°C to +125°C
 DC Voltage +7 volts
 RF Input Power +13.0 dBm.
 Case Temperature +100°C

Specifications (Referenced to 50 ohms)

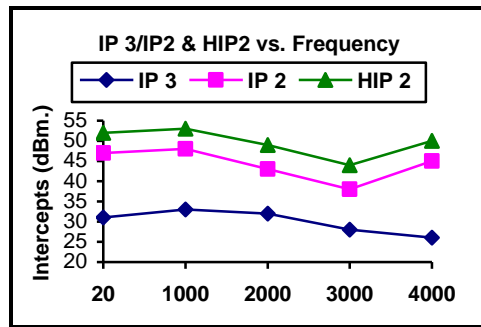
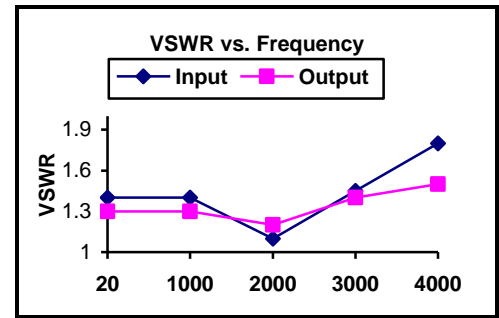
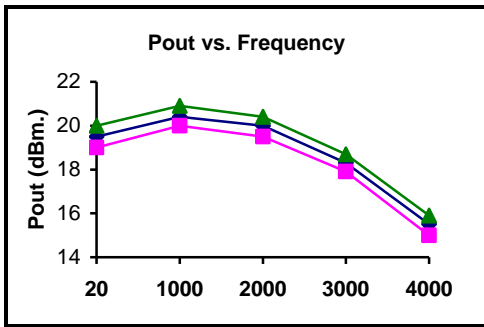
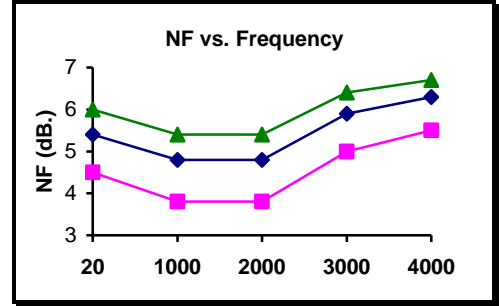
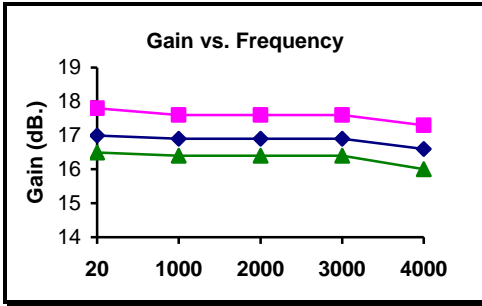
Parameter	Typical Conditions	Min Value	Max Value	Units
Frequency		10	4000	MHz.
Gain	17.0	16.0		dB.
Gain Flatness	±0.2		±0.5	dB.
Gain Var. over temp	0.6			ΔdB.
Pout @ 1dB Comp	+15.5	+14.5		dBm.
Noise Figure 20-4000MHz	6.0		7.0	dB.
Reverse Isolation	20			dB.
IP ₃ /IP ₂ (two-tone)*	28/38	26/35		dBm.
HIP2 (2 nd harm.)	42.0			dBm.
VSWR In/Out	1.8:1		2.0:1	
Supply Required	+5/90		+5/100	v/mA.

Min. and max. values are from 0°C to +85°C
 *IP₃ and IP₂ are in band output intercept points



Typical Performance Curves

-■- -55°C -◆- +25°C -▲- +85°C



FUNCTIONAL BLOCK DIAGRAM

