

Features: (typical values)

- Super Linearity
- Medium Gain 18 dB.
- High Output Power +35.0 dBm.
- Low Cost
- No external components required

Maximum Ratings

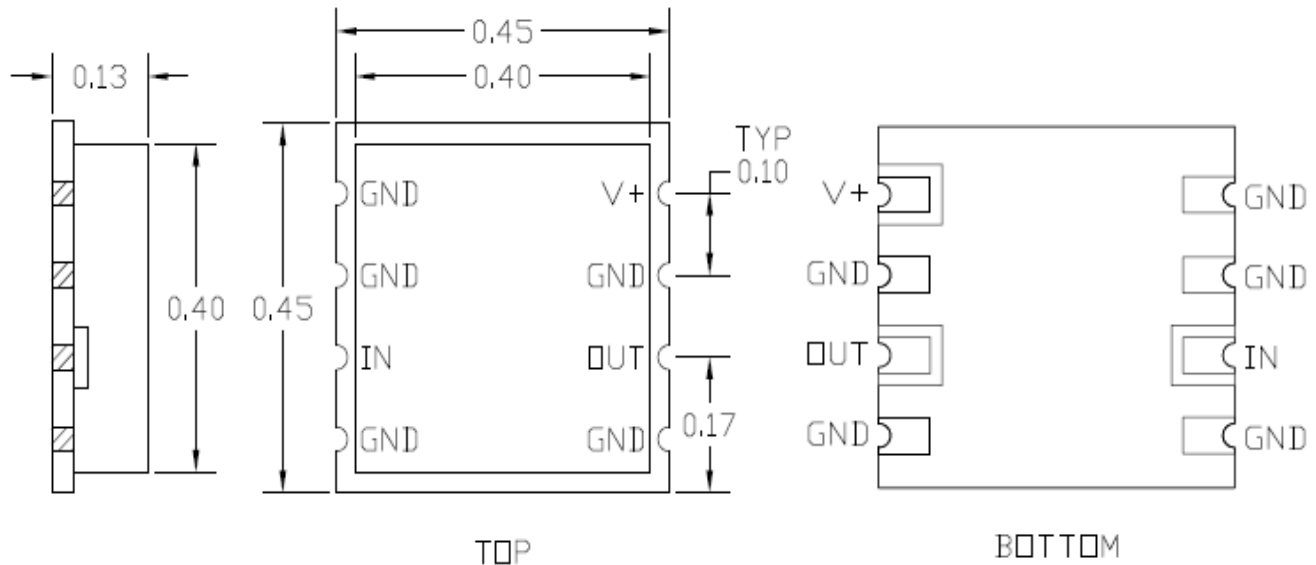
Storage Temperature -62°C to +125°C
 DC Voltage +16 volts
 RF Input Power +18.0 dBm.
 Case Temperature +100°C



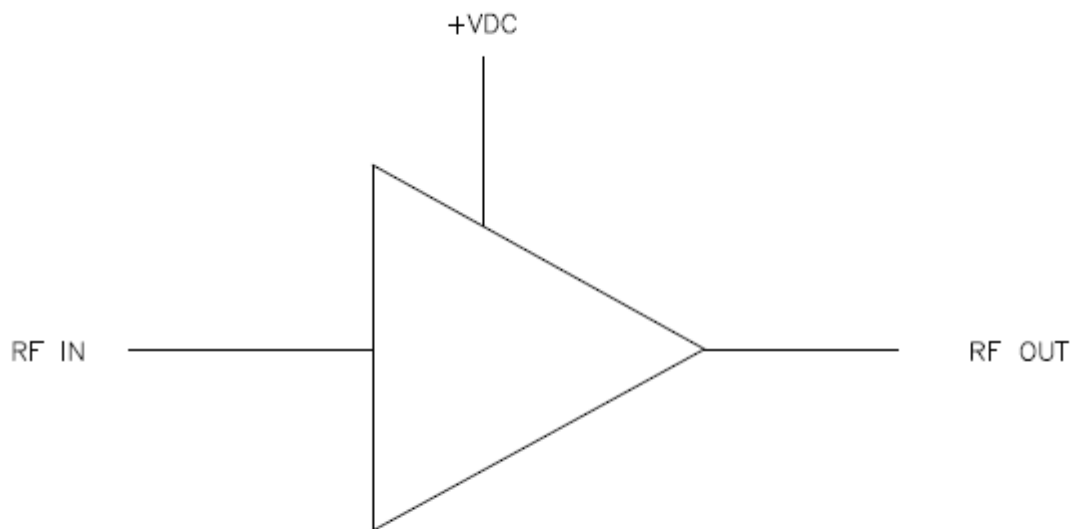
Specifications (Referenced to 50 ohms)

Parameter	Typical Conditions	Min Value	Max Value	Units
Frequency		5	500	MHz.
Gain	18	16		dB.
Gain Flatness	±2.0		±2.5	dB.
Gain Var. over temp	0.6			ΔdB.
P Sat	+35.0	+34.0		dBm.
Reverse Isolation	25			dB.
VSWR In/Out	2.2:1		2.5:1	
Supply Required	+15/100		+15/200	v/mA.

Min. and max. values are from 0°C to +50°C



FUNCTIONAL BLOCK DIAGRAM



NO EXTERNAL COMPONENT REQUIRED